



226 HP HALF DOVE TAIL HOUSINGS

*Stainless steel housings for gases,
DI water and organic solvents*

Overview

Entegris 226 HP half dove tail housings are manufactured from high-quality 316L stainless steel and recommended for use in high-purity chemical processing. The housings have good resistance to corrosive chemicals. Its high-quality finish eliminates harmful contaminants from leaching into the process stream.

Features and Benefits

- Constructed of 316L stainless steel – provides excellent chemical resistance.
- Upgraded o-ring groove design – half dove tail o-ring groove design protects the o-ring from being separated from the housing during filter changeout.
- Improved connection and various drain/vent ports – minimizes exposure to contaminants and maintains high performance of the housing in high-pressure applications. Wider outlet drain and vent ports allow chemicals to drain faster.
- Can accommodate o-ring or flat type filter cartridge. Keeps cartridge stable in high-flow applications. Housing can be used in gas or fluid applications.



Applications

226 HP half dove tail housings can be used in high-flow central applications in the manufacturing of flat panel display, hard disks, semiconductors and chemical suppliers.

Ordering Information

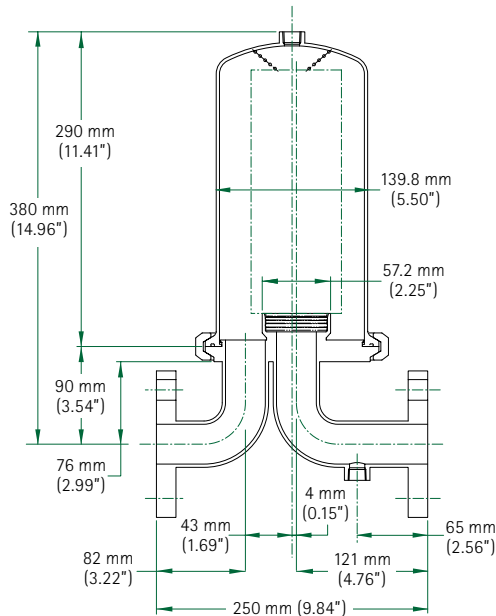
| Part Number | Description | Connection |
|-------------|---------------------------------------|-----------------|
| YYC06EH3F | 226 HP half dove tail without drain | 32A JIS20K EPDM |
| YYC06EH4F | 226 HP half dove tail without drain | 40A JIS20K EPDM |
| YYC06FH3F | 226 HP half dove tail CD-F | 32A JIS20K EPDM |
| YYC06FH4F | 226 HP half dove tail CD-F | 40A JIS20K EPDM |
| YYCD6EH3F | 226 HP half dove tail 1/4" with drain | 32A JIS20K EPDM |
| YYCD6EH4F | 226 HP half dove tail 1/4" with drain | 40A JIS20K EPDM |
| YYCD68H3F | 226 HP half dove tail 3/8" with drain | 32A JIS20K EPDM |
| YYCD68H4F | 226 HP half dove tail 3/8" with drain | 40A JIS20K EPDM |
| YYCD68S4F | 226 HP half dove tail 3/8" with drain | 40A JIS30K EPDM |
| YY5C000CB | 226 HP 3-piece 125A clamp band | |
| YYC0VD413 | 1/4" plug, 3 pcs/pack | |
| YYC0VD383 | 3/8" plug, 3 pcs/pack | |
| YYCOBWSF0 | Spring, 10 pcs/pack | |
| YYCOBWEP5 | G-145, 5 pcs/pack | |

Note: Not for use in the European Union.

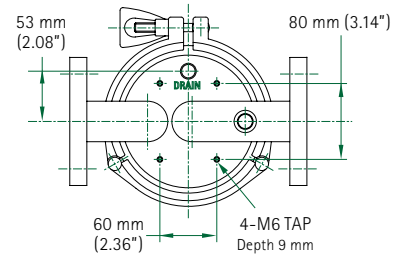
Specifications

| | | |
|-----------------------|---------------------------------------|---|
| Materials: | Head, bowl, drain, vent, plug, spring | 316L stainless steel |
| | Clamp | Equivalent 304 stainless steel |
| | Surface finish (internal/external) | Head Buff #400/electropolished after sandblast Bowl Buff #400/hairline |
| Connections: | Vent/drain | 1/4", 3/8" RC (PT) |
| | Inlet/outlet | 32/40A JIS 20K FF |
| | Housing | G-145 EPDM |
| | Cartridge | CD-0/F (226) |
| Dimensions: | Length | 380 mm (14.9") – to center of inlet/outlet |
| | Diameter (bowl) | 139.8 mm (5.5") |
| Operating conditions: | Maximum operating pressure | 1.5 MPa @ 80°C (176°F) – static |

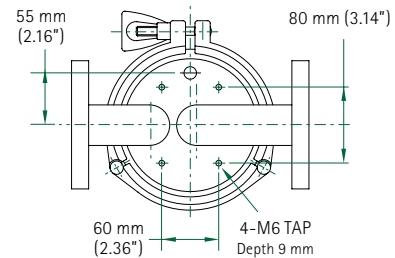
Dimensions



226 HP Half Dove Tail Housing with Outlet Drain



226 HP Half Dove Tail Housing without Outlet Drain



For More Information

Please call your Regional Customer Service Center today to learn what Entegris can do for you. Visit www.entegris.com and select the "Customer Service" link for the center nearest you.

Terms and Conditions of Sale

All purchases are subject to Entegris' "Terms and Conditions of Sale." To view and print this information, visit Entegris' website at www.entegris.com and select the Legal Notices link from the footer found on the home page.

Entegris® is a registered trademark of Entegris, Inc.

ENTEGRIS, INC.

Corporate Headquarters | 129 Concord Road | Billerica, MA 01821 USA
Customer Service Tel. +1 952 556 4181 | Customer Service Fax +1 952 556 8022
In North America 800 394 4083 | www.entegris.com