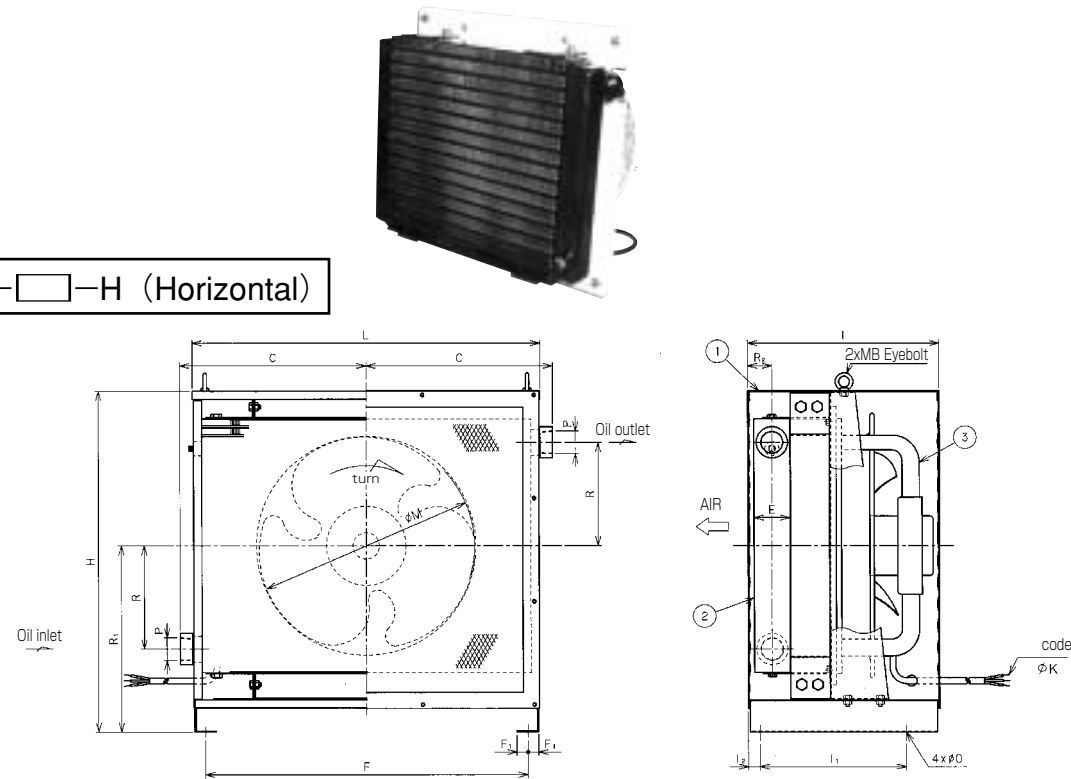


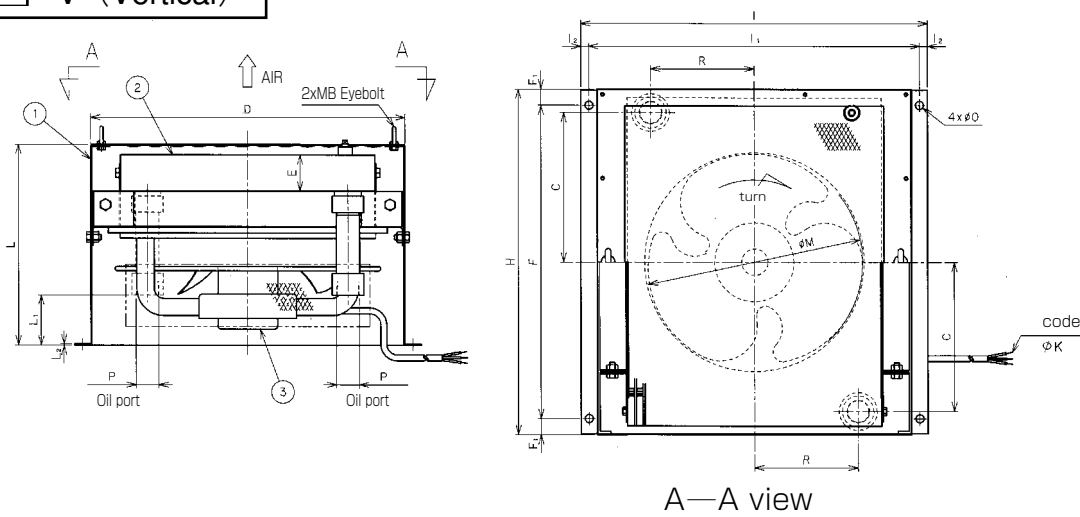
Construction & dimensions for ATF-H/V (with case)

ATF-□-H (Horizontal)



Model	Code	L	I ₁	I ₂	H	F	F ₁	O	R	R ₁	R ₂	C	E	P	M	K	Weight (kg)
ATF-5061-H1		642	270	21.6	631	595	20	15	191.25	345	44.6	344	66	Rc1-1/4	400	0.75	44
ATF-6061-H1		737	300		731	690			213.75	395	45.6	392.5		Rc1-1/2	500	1.25	62

ATF-□-V (Vertical)

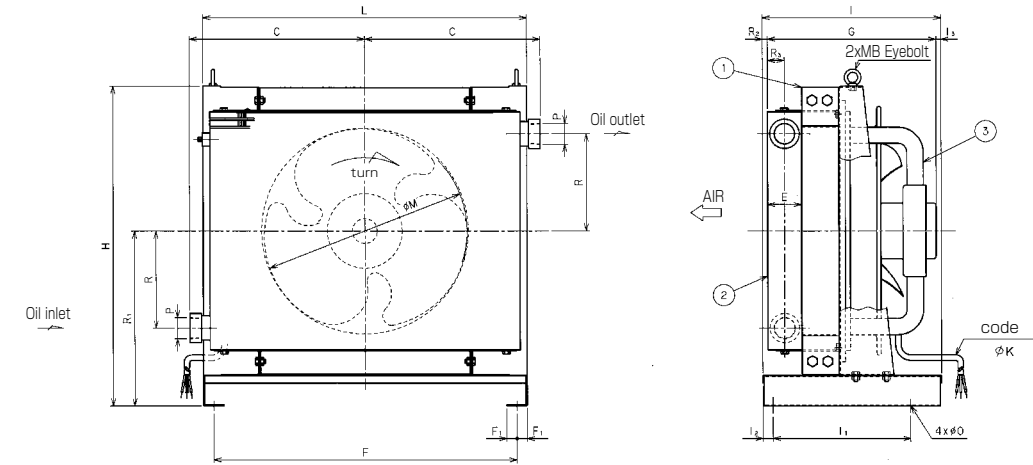


Model	Code	L	L ₁	L ₂	I	I ₁	I ₂	H	F	F ₁	O	R	C	E	P	M	K	Weight (kg)
ATF-5061-V1		372	93	2.3	640	610	15	640	580	30	15	191.25	276.5	66	Rc1-1/4	400	0.75	49
ATF-6061-V1		412	65		730	700		720	650	35		213.75	315		Rc1-1/2	500	1.25	70

● Max. operating pressure (static) ... 1.0MPa
 ● Max. operating temp. ... Oil side: 150°C / Air side 50°C

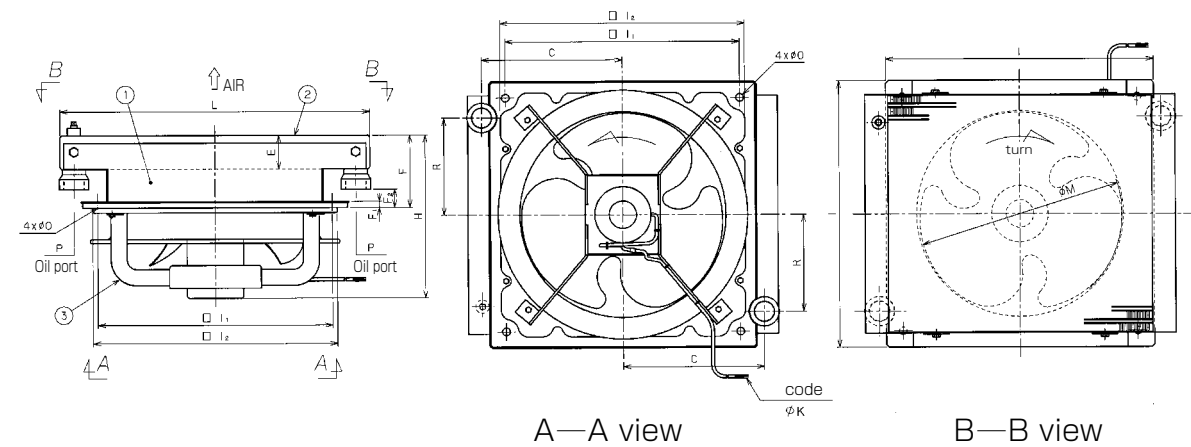
Construction & dimensions for ATF-HS/VS (without case)

ATF-□-HS (Horizontal)



Model	Code	L	I	I ₁	I ₂	I ₃	G	H	F	F ₁	O	R	R ₁	R ₂	R ₃	C	E	P	M	K	Weight (kg)
ATF-5061-HS1		635	350	270	21.6	10	330	630	595	20	15	191.25	345	10	33	344	66	Rc1-1/4	400	0.75	37
ATF-6061-HS1		730	390	300		13.5	365.5	730	690			213.75	395	11		392.5		Rc1-1/4	500	1.25	53

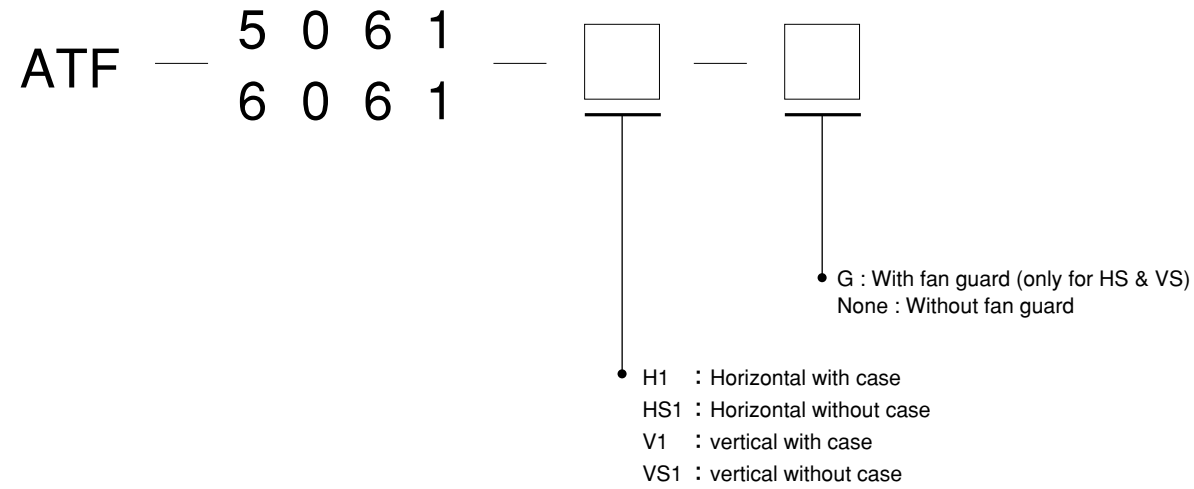
ATF-□-VS (Vertical)



Model	Code	L	I	I ₁	I ₂	H	F	F ₁	F ₂	O	R	C	E	P	M	K	Weight (kg)
ATF-5061-VS1		608	525	460	480	319	142	12.3	36	15	191.25	276.5	66	Rc1-1/4	400	0.75	26
ATF-6061-VS1		685	625	560	580	356			26		213.75	395		Rc1-1/4	500	1.25	40

● Max. operating pressure (static) ... 1.0MPa
 ● Max. operating temp. ... Oil side: 150°C / Air side 50°C

▶ Model Number



▶ Specifications

Model	ATF-50□□	ATF-60□□
Fluid	Mineral based oil	
Operating pressure	1.0 MPa	
Rated voltage	3ph 4pin 200V 50/60Hz 3ph 4pin 380-415V 50Hz 3ph 4pin 380-440V 60Hz	
Type of fan	EF-40UTB	EF-50UTB
Power consumption	200W	400W
Insulation	E grade	
Recommended beaker current (A)	1.5~1.9 50Hz 1.7~2.1 60Hz	3.2~4.1 50Hz 3.0~3.8 60Hz
Sound noise (1.5m beside)	67.0 / 71.5dB	74.0 / 77.0dB
Ambient condition	Ambient temp. : -10°C ~ 50°C / RH: less than 90% In house use	

*A rating current is the value for a simple motor.

● Thermal protection (only for 200V-type)

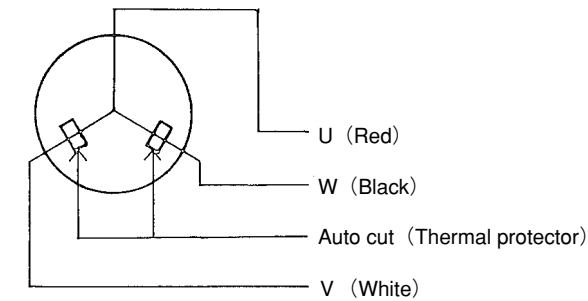
There is a thermal protector in the motor. When the motor overheats, it will stop. After the motor stops, review the procedure below.

- 1) Turn off motor (⚡ do not touch the motor before turning it off) .
- 2) Radiator should not have built up debris on it.
- 3) Look for restrictions in the airflow.
- 4) Check if the electric current is normal.
- 5) Check if ambient temperature is correct or not.

When the temperature cools down, the motor can be used.

- ⚡ Even if the motor stops but electricity is still supplied, do not touch air cooler.
(There is a possibility of sudden restart.)

● Connection



⚡ The cooler must be correctly grounded to earth.

● Accessory

A protective fan guard is provided as an accessory. If you order the fan guard, add "G" at end of the model number.

It is easy to attach the fan guard on the users end even if it is ordered separately.

⚡ TAISEI recommends the use of a fan guard for your safety.

▶ Component Parts

No.	Parts name
1	Case
2	Radiator
3	Fan
4	Motor

▶ Cooler selection graph

● Taisei will select the best cooler based on the information you provide regarding oil type, oil brand, oil flow, rate of heat exchange, temperature differences, oil pressure drop, power supply (voltage, frequency, type of current) etc.

Condition

Fluid : ISO-VG32 or equivalent

Ambient temperature. : 35°C

Power supply frequency : 50Hz

