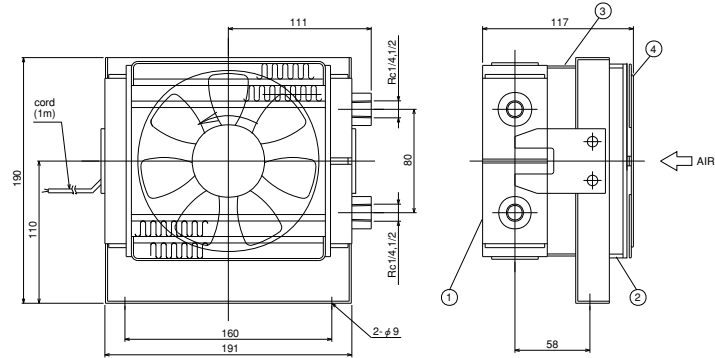


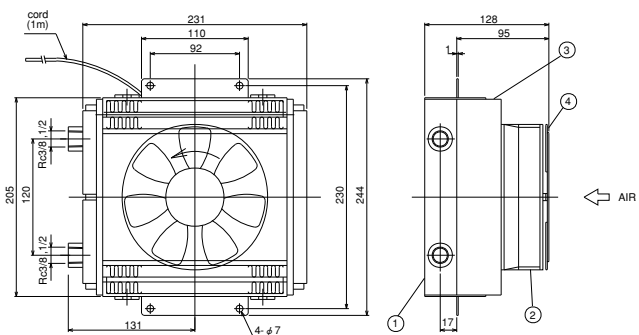
Construction & Dimensions



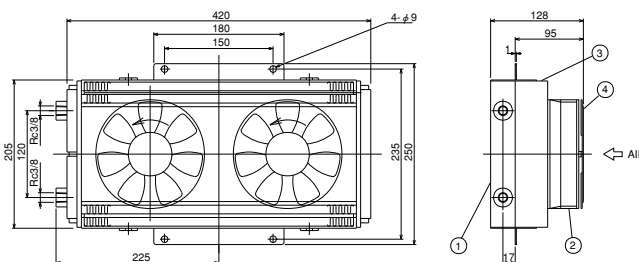
ATK-1552F



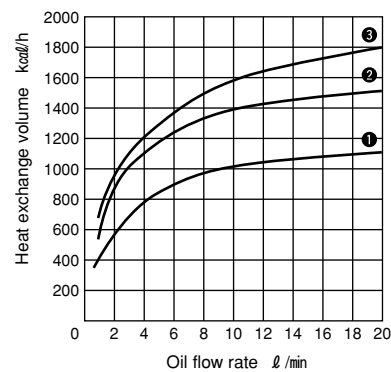
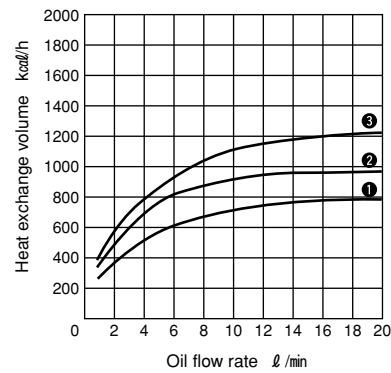
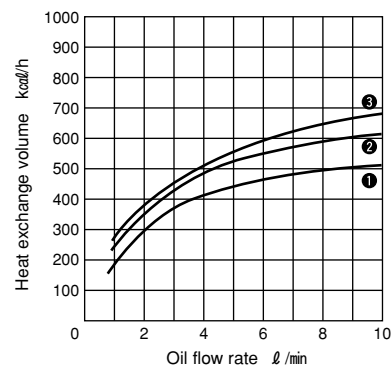
ATK-2032F



ATK-2432F



Heat exchange volume



ISO-VG46 or equivalent (40~70°C)

- ① Room temp. +20°C
- ② Room temp. +30°C
- ③ Room temp. +35°C

Model Number

ATK-1552F
ATK-2032F
ATK-2432F

PORT SIZE			ELECTRIC WIRING		VOLTAGE	
MODEL	CODE	PORT(d)	CODE	CONNECTOR	CODE	VOLTAGE
1552F	02	Rc1/4	NONE	without	1	100V 1ph※1
	04	Rc1/2	A	with	2	200V 1ph※1
2032F	03	Rc3/8			15	115V 1ph
	04	Rc1/2			22	220V 1ph
2432F	03	Rc3/8			23	230V 1ph

Specifications

Item	Model	ATK-1552F	ATK-2032F	ATK-2432F
Fluid		Mineral based oil		
Operating pressure		1.0MPa		
Voltage		Single phase 100V or 200V 50/60Hz※1		
Power consumption		35/33W		35/33W×2
Insulation		E grade		
Lead cable		AWG22×100 ^L		
Sound level		65dB(A) or below		70dB(A) or below
Weight		3kg	3.1kg	4.8kg
Paint coating		Black baking finish		
Ambient Condition		Ambient temp. : -20°C~60°C / RH : 20%~85% / In house use To avoid oil mist atmosphere for electronic short circuit		

※1 100V, 200V are standard

Component Parts

No.	Parts name
1	Radiator
2	Fan motor
3	Support
4	Fan guard

Pressure drop information

