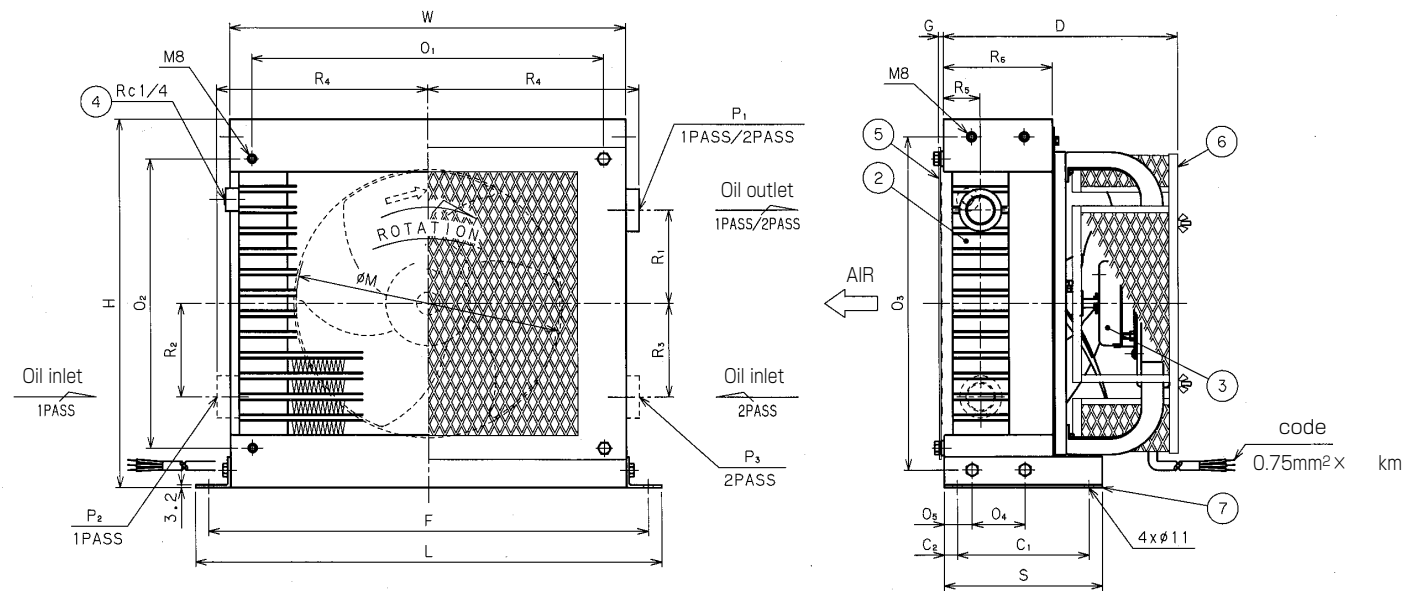
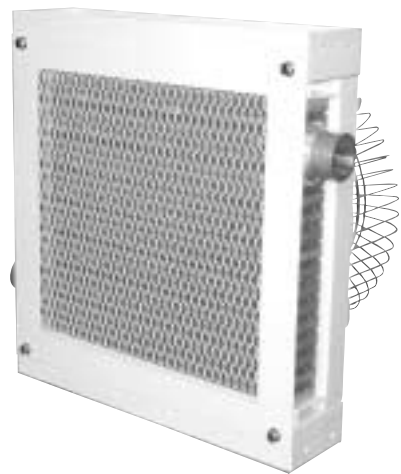


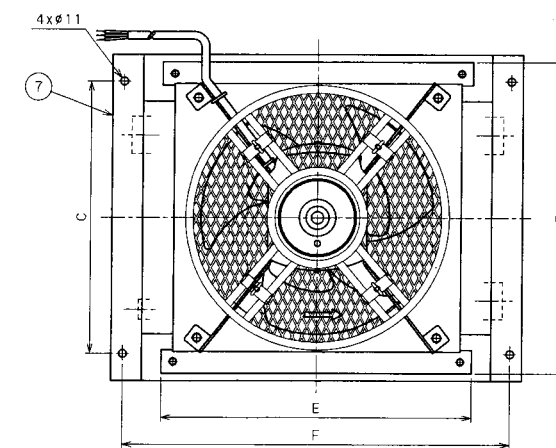
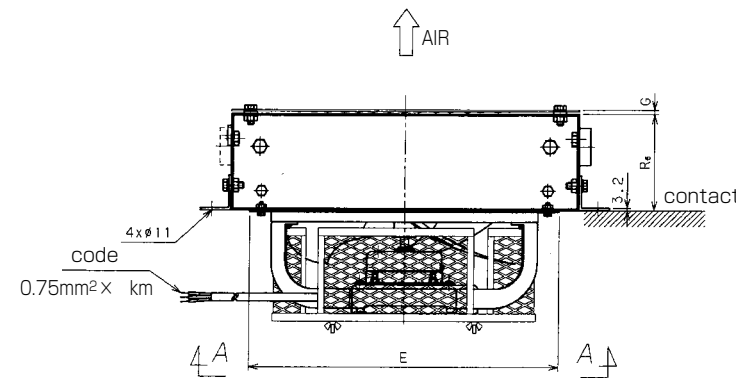
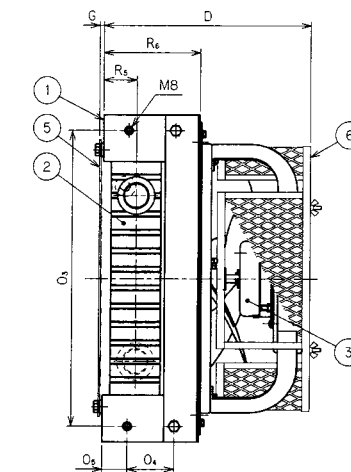
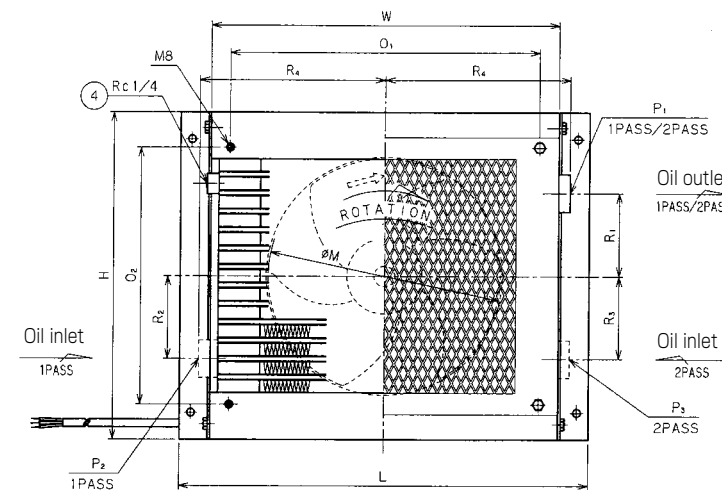
Construction & dimensions for ATS-H



Model	Code	W	H	D	L	C ₁	C ₂	F	S	P ₁	P ₂	P ₃	R ₁	R ₂	R ₃	R ₄	R ₅	R ₆	O ₁	O ₂	O ₃	O ₄	O ₅	G	M	K	Weight (kg)
ATS-3061-MH ***		380	372	265.2	460	100	12	430	124	Rc3/4	Rc3/4	—	70.8	70.8	—	200			330	282	332				258	1	16
ATS-3062-MH ***				(259)						—	Rc3/4	—	—	70.8	—												
ATS-3561-MH ***		450	419	266.7	530			500		Rc1	Rc1	—	106.2	106.2	—	240	42	124	400	329	379	60	32		300		21
ATS-3562-MH ***				(260.5)		150	15		180	—	Rc1	—	—	106.2	—												
ATS-4061-MH ***		510	553	253	590			560		Rc1-1/4	Rc1-1/4	—	129.8	129.8	—	284.5			460	463	513			2.3	350		28
ATS-4062-MH ***				(246.8)						—	Rc1-1/4	—	—	129.8	—												

() For no fan guard
Weight is for model with fan guard and radiator guard

Construction & dimensions for ATS-V

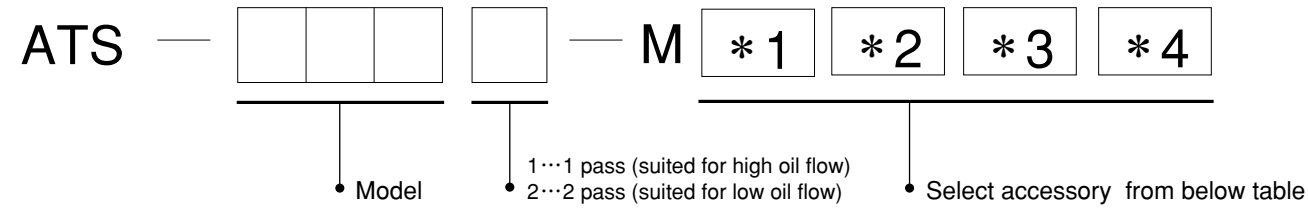


A—A view

Model	Code	W	H	D	L	C	F	E	P ₁	P ₂	P ₃	R ₁	R ₂	R ₃	R ₄	R ₅	R ₆	O ₁	O ₂	O ₃	O ₄	O ₅	G	M	K	Weight (kg)
ATS-3061-MV ***		380	372	265.2	460	300	430	370	Rc3/4	Rc3/4	—	70.8	70.8	—	200			330	282	332				258	1	17
ATS-3062-MV ***				(259)					—	Rc3/4	—	—	70.8	—												
ATS-3561-MV ***		450	419	266.7	530	350	500	400	Rc1	Rc1	—	106.2	106.2	—	240	42	124	400	329	379	60	32		300		22
ATS-3562-MV ***				(260.5)					—	Rc1	—	—	106.2	—												
ATS-4061-MV ***		510	553	253	590	480	560	440	Rc1-1/4	Rc1-1/4	—	129.8	129.8	—	284.5			460	463	513			2.3	350		30
ATS-4062-MV ***				(246.8)					—	Rc1-1/4	—	—	129.8	—												

() For no fan guard
Weight is for model with fan guard and radiator guard.

▶ Model Number



Accessory table							
*1		*2		*3		*4	
H	Attachment for horizontal installation	R	With radiator guard	G	With fan guard	2	200V
V	Attachment for vertical installation	N	Without radiator guard	N	Without fan guard	4	400V
N	Without attachment						

▶ Specifications

Model	ATS-3061-M	ATS-3062-M	ATS-3561-M	ATS-3562-M	ATS-4061-M	ATS-4062-M
Fluid	Mineral based oil					
Operating pressure	1.0 MPa					
Rated voltage	3ph 4pin 200V 50/60Hz 3ph 4pin 380-415V 50Hz 3ph 4pin 380-440V 60Hz					
Type of fan	EF-25UTB		EF-30UTB		EF-35UTB	
Power consumption	25W		50W		100W	
Rated current	0.21 / 0.20A		0.33 / 0.29A		0.63 / 0.52A	
Starting current	0.64 / 0.59A		1.1A / 1.0A		2.5 / 2.4A	
Insulation	E grade					
Recommended beaker current (A)	0.28~0.35 50Hz 0.29~0.36 60Hz		0.64~0.80 50Hz 0.55~0.69 60Hz		0.90~1.10 50Hz 0.88~1.10 60Hz	
Sound noise (1.5m beside)	50.0 / 52.0 dB		54.5 / 58.5 dB		60.0 / 63.0 dB	
Ambient condition	Ambient temp. : -10°C~50°C / RH : less than 90% In house use					

*A rating current is the value for a simple motor.

● Thermal protection (only for 200V-type).

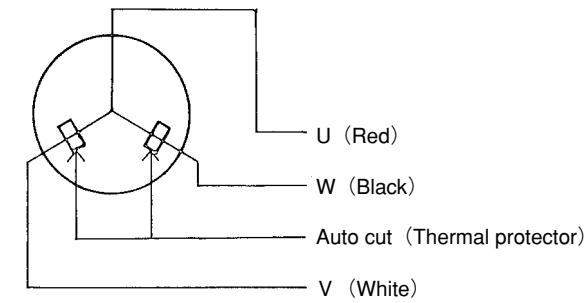
There is a thermal protector in the motor. When the motor overheats, it will stop. After the motor stops, review the procedure below.

- 1) Turn off motor (⚡ do not touch the motor before turning it off) .
- 2) Radiator should not have built up debris on it.
- 3) Look for restrictions in the airflow.
- 4) Check if the electric current is normal.
- 5) Check if ambient temperature is correct or not.

When the temperature cools down, the motor can be used.

⚡ Even if the motor stops but electricity is still supplied, do not touch air cooler.
(There is a possibility of sudden restart.)

● Connection



⚡ The cooler must be correctly grounded to earth.

● Accessory

A protective fan guard is provided as an accessory. If you order the fan guard, add "G" at end of the model number.

It is easy to attach the fan guard on the users end even if it is ordered separately.

⚡ TAISEI recommends the use of a fan guard for your safety.

▶ Component Parts

No.	Parts name	No.	Parts name
1	Case	5	Radiator guard
2	Radiator	6	Fan guard
3	Fan motor	7	Bracket
4	Vent		

▶ Cooler selection graph

● Taisei will select the best cooler based on the information you provide regarding oil type, oil brand, oil flow, rate of heat exchange, temperature differences, oil pressure drop, power supply (voltage, frequency, type of current) etc.

Condition

Fluid : ISO-VG32 or equivalent

Ambient temperature : 35°C

Power supply frequency : 50Hz

