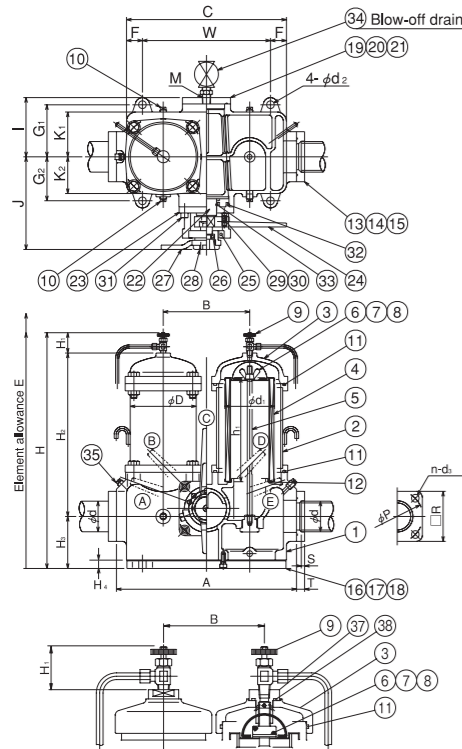
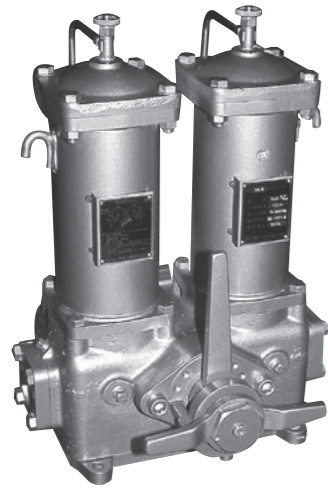


# MODEL BOS/BCS

# BLOW-OFF DUPLEX FILTER

0.5 MPa



(Handle Position and Switchover) (A) to (E) in figure  
 A) Left side closed, right side in use  
 B) Right side blow off, right side in use  
 C) Both sides in use  
 D) Left side in use, right side blow off  
 E) Left side in use, right side closed

- Maximum operating pressure: 0.5 MPa
- Model BOS is blow-off duplex filter and uses notch wire elements. Switching handle at five levels enables cleaning one of the elements or closing one side of filters during operation.
- Model BCS and BOS are the same design. Switching handle at three levels enables taking out clogged element by closing one of the filters while let the other filter keep running. Wire (SUS) and Paper are provided as well as Notch Wire for model BCS only.

### Part List

Part No.	Part Name	Material	Qty	Remarks
38	O-ring	NBR	2	For BOS/BCS-08,10 JIS B2401. 1A
37	Cap nut	SS400	2	For BOS/BCS-08,10
36	Ring	C3604	1	
35	Plug	SS400	2	
34	Blow-off drain valve	CAC406	1	For BCS : Plug stopper (SS400)
33	O-ring	NBR	1	JIS B2401. 1A
32	O-ring	NBR	1	JIS B2401. 1A
31	Cap bolt	SCM435	1set	
30	Spring	SWPA	1	
29	Stopper	SS400	1	
28	Round nut holder	SS400	1	
27	Cock clamping handle	FCD450	1	For BOS/BCS-40,48 : FC200
26	Round nut (small)	SS400	1	
25	Round nut (large)	SS400	1	For BOS/BCS-12~24 : STKM13A
24	Handle	FCD450	1	
23	Gland flange	FCD450	1	For BOS/BCS-40,48 : FC200
22	Cock	FCD450	1	
21	O-ring	NBR	1	For BOS/BCS-12~24 JIS B2401. 1A
	Packing	Non asbestos	1	For BOS/BCS-08,10
20	Bolt	SS	4	
19	Cover	SS	1	
18	Packing	Non asbestos	1	
17	Cap bolt	SCM435	1set	
16	Blind flange	SS400	2	
15	O-ring	NBR	2	For BOS/BCS-12~24 JIS B2401. 1A
14	Packing	Non asbestos	2	For BOS/BCS-08,10
13	Companion flange	SS400	2	
12	O-ring	NBR	2	For notch wire elements of BOS/BCS-20~48
	Packing	Non asbestos	2	For paper and wire (SUS) elements of BOS/BCS-08~16/40,48
11	O-ring	NBR	4	JIS B2401. 1A
10	Suppression valve/Plug	C3771/SS400	2/2	For BOS/BCS-28~48
	Plug	SS400	4	For BOS/BCS-08~24
9	Air vent valve	C3771	2	For BOS/BCS-40,48 : CAC406
8	Packing	Non asbestos	2	For BOS/BCS-40,48 : NBR
7	Washer	SS400	2	
6	Wing nut	SS400	2	
5	Spindle	SS400	2	
4	Element	SUS A6063	2	
3	Cover	FCD450	2	For BOS/BCS-28~48 : SS400
2	Shell	SGP,SS400	2	For BOS/BCS-12,16 : STKM13A,SS400
1	Body	FC200	1	

### O-ring and Packing ※For notch wire element, O-rings in ( ).

Model	Part No.	8	11	12	15	18	21	32	33	38
BOS/BCS-08		11.5Xφ28/14	G-100	11.5Xφ55/48	11.5X□78/φ35	12X118X234	11.5X□70/46	G-50	G-35	G-25
BOS/BCS-10					11.5X□78/φ43					
BOS/BCS-12,16		11.5Xφ21/10	G-130	11.5Xφ71/63	G-65	12X178X324	G-85	G-85	G-50	
BOS/BCS-20,24		11.5Xφ24/12	G-170	11.5Xφ22/94	AS568-241	G-90	12X202X398	G-100	G-105	G-50
BOS/BCS-28,32		11.5Xφ28/14	G-220	11.5Xφ45/119	AS568-250	G-130	12X283X500	G-125	G-135	G-75
BOS/BCS-40,48		12Xφ73/16	G-270	12Xφ200/172	P-180	G-175	12X398X668	G-180	G-190	G-85

※1 JIS B2401, 1A

Symbol Model	Inner Dia.	H	H <sub>1</sub>	H <sub>2</sub>	H <sub>3</sub>	H <sub>4</sub>	A	B	D	C	W	F	d <sub>2</sub>	G <sub>1</sub>	G <sub>2</sub>	I	J	K <sub>1</sub>	K <sub>2</sub>	M	Mass (kg)	Companion Flange					Element			
																						d	R	P	T	S	n-d <sub>3</sub>	Element Allowance	h <sub>1</sub> ※2	d <sub>1</sub>
BOS/BCS-08	25A	379	50	259	70	16	265	120	101.6	236	170	33	15	75	75	81.5	153	60	60	Rc 3/8	24.5	35	470	152			83			
BOS/BCS-10	32A	419		299																	27.5	43	□78	78	12	4-φ12	550	192		
BOS/BCS-12	40A	473	50	333	90	18	360	180	127	326	270	28	15	115	95	128	212	100	80	Rc 1/2	57	49.2	□90	92	18	8	4-φ15	620	200	
BOS/BCS-16	50A	553		413																	64	61					780	280		
BOS/BCS-20	65A	587	50	408	129	19	450	216	165.2	400	320	40	19	130	110	148	232	112	92	Rc 1/2	96.5	78	□125	128	20	8	4-φ19	800	260 (265)	124
BOS/BCS-24	80A	677		498																	105.5	90					980	350 (355)		
BOS/BCS-28	90A	998	103	730	165	22	550	260	216.3	502	410	46	19	175	150	197	277	155	130	Rc 3/4	212	103	φ210	175	22	10	8-φ19	1440	550 (551)	148
BOS/BCS-32	100A	1248		980																	220	116					1940	800 (801)		
BOS/BCS-40	125A		103	1033	192	26	670	320	267.4	670	500	85	19	240	210	235	350	215	185	Rc 1	350	141	φ260	220	25	10	8-φ19	2000	800 (802)	203
BOS/BCS-48	150A																				166									

※2 Notch wire element dimensions in ( ).

### Model Code

Model	Inner Diameter	Flow Direction	Filtration Rating
Code Model Type	Code Inner Dia.	Code Flow Direction	Code Filtration Media
BOS Blow off	08 25A	R Inlet on right when seen from handle	60K 60mesh Notch wire
BCS Switchover only	10 32A	L Inlet on left when seen from handle	100K 100mesh Wire (SUS)
	12 40A		150K 150mesh Paper
	16 50A		200K 200mesh
	20 65A		50UK 50microns
	24 80A		
	28 90A		
	32 100A		
	40 125A		
	48 150A		

Coding Example  
 BOS-12-R-100K

### Spares

#### Element

P — Fluid Type — BOS (BCS) — Inner Diameter — Filtration Rating  
 Coding example : P-BOS-12-100K

#### Sealing parts set

● For element replacement (Part No. with ☉ in "O-ring and packing".) Note: The contents of this set are for one side only.

SP — BOS (BCS) — Inner Diameter — Symbol ※3 Filtration Rating  
 Coding example : SP-BOS-12

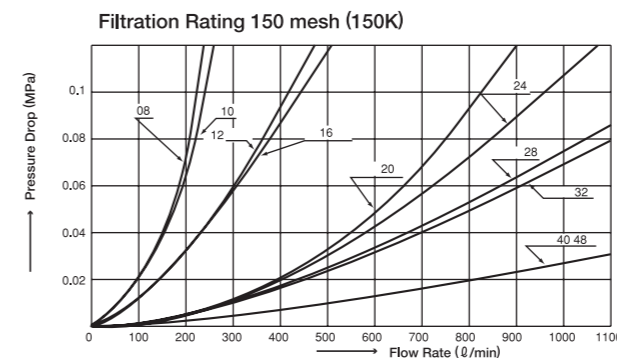
● For overhaul

SA — BOS (BCS) — Inner Diameter — Symbol ※3 Filtration Rating  
 Coding example : SP-BCS-20-K

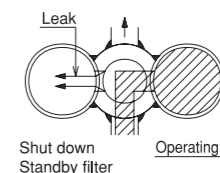
※3 Please input "K" when the notch wire elements (Dia. 20~48) are used.

### Flow Rate Chart

● ISO VG32 ● Viscosity: 32 cSt (40°C)



Criteria of cock leakage: Specified amount of fluid leakage from operation filter to standby filter through cock clearance.



Model	Leakage cc/min	Condition
BOS - 08, 10	MAX.30	0.5MPa
BOS - 12, 16	MAX.60	
BOS - 20, 24	MAX.80	Viscosity 35 cSt
BOS - 28, 32	MAX.105	
BOS - 40, 48	MAX.150	