



## FLUOROGARD® ATE FILTERS

*All-PTFE filters with broad chemical and temperature range compatibility for high flow and low cost of ownership*



# *delivering efficient, high-flow performance*

## Overview

Entegris Fluorogard® ATE cartridge and disposable filters' all-fluoropolymer construction is designed to consistently remove particles from a wide range of acids, bases and other process chemicals. Ideal for medium to high-flow extended lifetime applications, dry and prewet Fluorogard filters deliver a low cost of ownership (COO).

### Extended Filtration Efficiency

Increased filtration surface area minimizes pressure drop across the filter without compromising the enhanced particle removal characteristics.

The Teflon® fluoropolymer materials minimize extractables and other contaminants that may be detrimental to process performance and yield. Fluorogard filters provide the high-retention performance required in a clean, durable device.

### High Quality and Reliability

All Fluorogard ATE filters are manufactured in ISO 9001 certified facilities under cleanroom conditions. All devices are fully tested for integrity to ensure product performance standards are met.

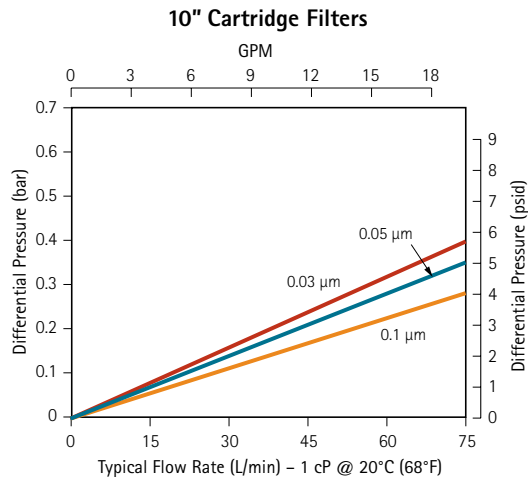
Feature	Advantage	Benefit
Retention rating down to 0.03 µm		Increased yield
Low particle shedding	Improved chemical cleanliness	Higher throughput
Low extractable level		
	Higher flow	Faster bath cleanup
Higher surface area using M pleat structure	Longer lifetime	Lower COO
	Lower pressure drop (less stress on other components like pumps, etc.)	
Prewet version available	No solvent needed for prewetting or flushing required	
	Quicker/easier installation	

## Specifications

Materials:	Membrane	PTFE
	Supports	PFA
	Cartridge o-rings	Chemraz <sup>®</sup> , Kalrez <sup>®</sup> 4079, Teflon encapsulated Viton <sup>®</sup> (TEV), Teflon encapsulated Viton <sup>®</sup> Extreme™ ETP, Teflon encapsulated EPDM/EPR (TEE)
	Disposable shell	PFA
Retention ratings:	Dry	0.1, 0.05 and 0.03 μm
	Prewet	0.1 and 0.05 μm
Membrane surface area:	>2.2 m <sup>2</sup>	
Maximum operating conditions:	Maximum forward differential pressure	0.44 MPa (4.4 bar; 64 psi) @ 25°C
		0.05 MPa (0.5 bar; 7.5 psi) @ 180°C
	Maximum reverse differential pressure	0.35 MPa (3.5 bar; 50 psi) @ 25°C
	Maximum operating temperature	180°C (at the above conditions)
Particle cleanliness:	<15 particles/10 mL ≥0.2 μm after a 5-minute flush at 5 L/min.	
Metallic extractable levels:	<40 μg/10" element	

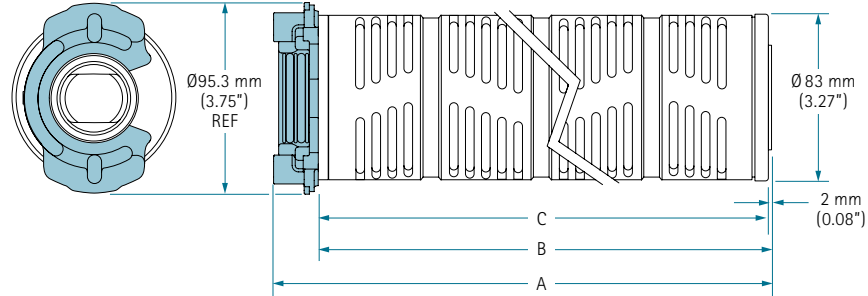
## Fluorogard ATE Cartridge Filters

### Performance Data



**Dimensions**

**Fluorogard ATE Cartridge Filter – End View with Chemlock® Key**



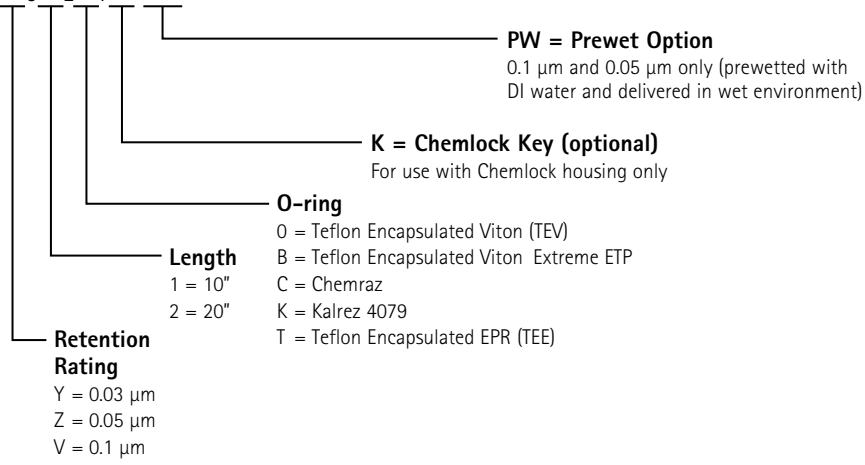
Length	A	B	C
10"	244.0 mm ±2.0 mm (9.61" ±0.079")	227.0 mm ±2.0 mm (8.94" ±0.079")	225.0 mm ±2.0 mm (8.86" ±0.079")
20"	471.0 mm ±3.0 mm (18.54" ±0.118")	453.5 mm ±3.0 mm (17.85" ±0.118")	451.5 mm ±3.0 mm (17.78" ±0.118")

**Ordering Information**

**Fluorogard ATE Code 0 Cartridge**

**Part Number**

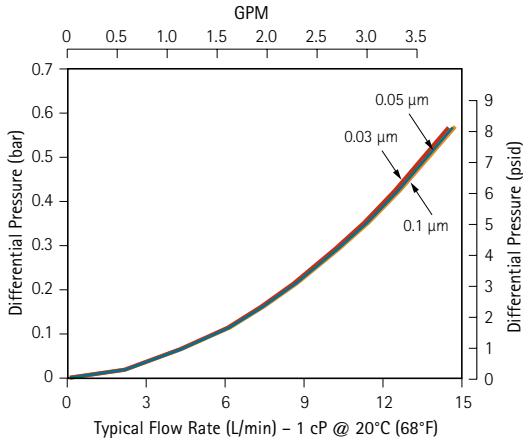
CTF 0 E 1



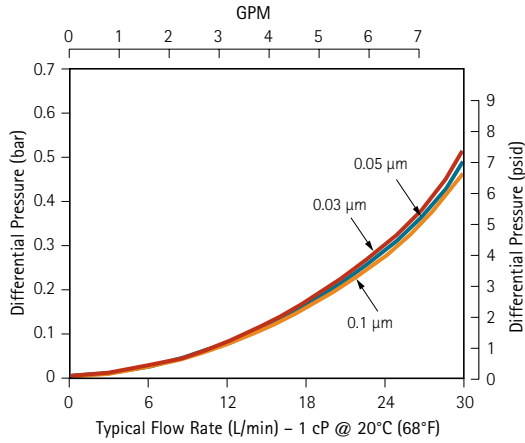
# Fluorogard ATE Chem-Line™ Disposable Filters

## Performance Data

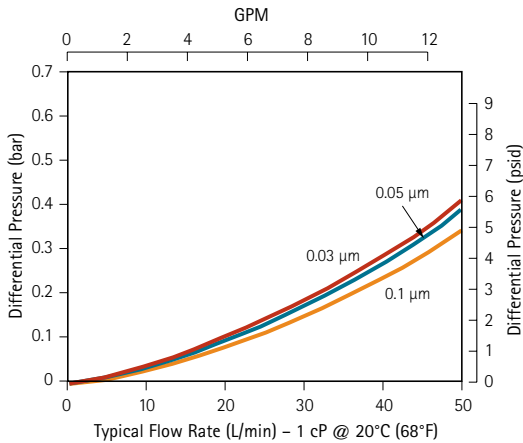
10" Disposable Filters with 3/8" Fittings



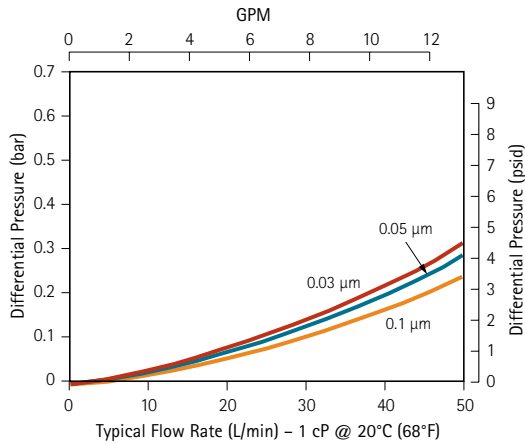
10" Disposable Filters with 1/2" Fittings



10" Disposable Filters with 3/4" Fittings



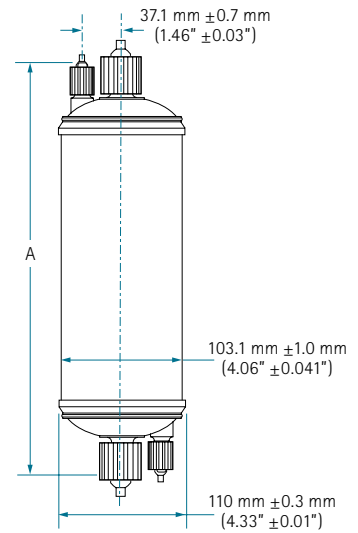
10" Disposable Filters with 1" Fittings



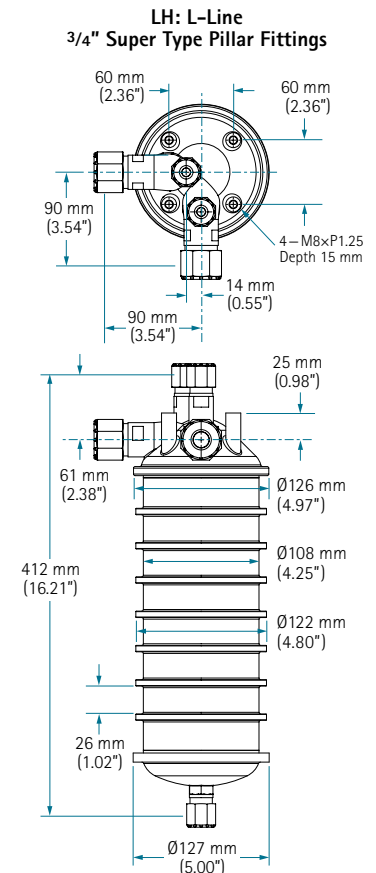
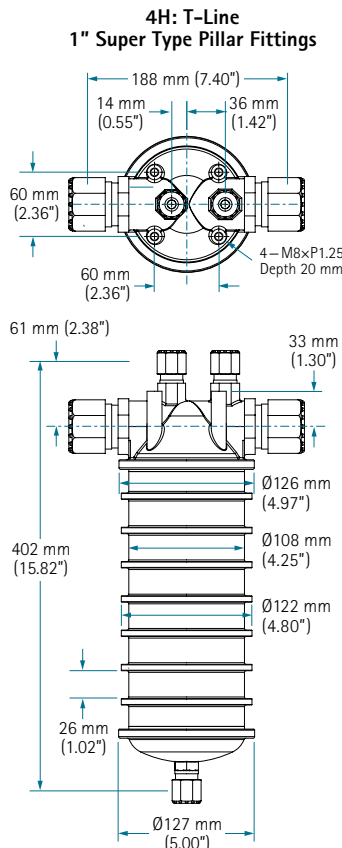
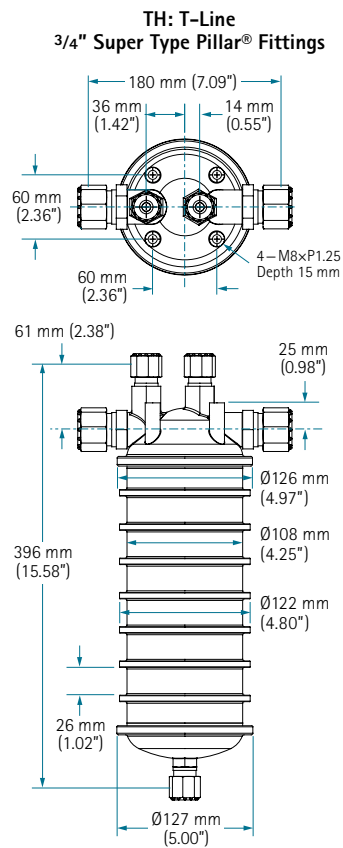
Dimensions

FLUOROGARD ATE CHEM-LINE II DISPOSABLE FILTERS

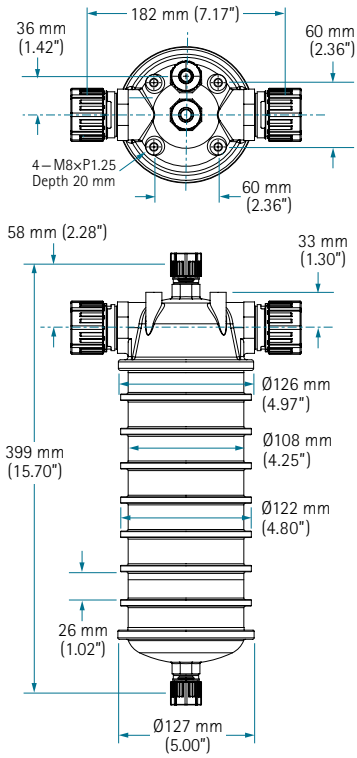
Inlet/ Outlet Size	A	
	Flaretek® Compatible Fittings	Flowell® 60 Series Compatible Fittings
3/8"	345.2 mm ±1.3 mm (13.59" ±0.05")	—
1/2"	354.3 mm ±1.3 mm (13.95" ±0.05")	—
3/4"	356.4 mm ±1.3 mm (14.03" ±0.05")	357.6 mm ±1.3 mm (14.08" ±0.05")
1"	366.5 mm ±1.3 mm (14.43" ±0.05")	367.0 mm ±1.3 mm (14.45" ±0.05")



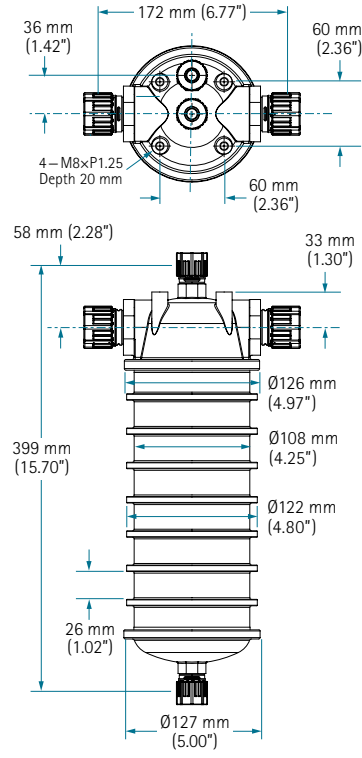
FLUOROGARD ATE CHEM-LINE I DISPOSABLE FILTERS



**4S: T-Line  
1" Super Type Pillar Fittings**



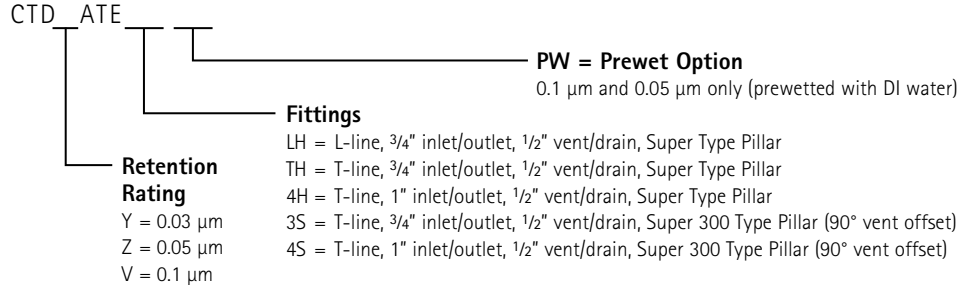
**3S: T-Line  
3/4" Super Type Pillar Fittings**



## Ordering Information

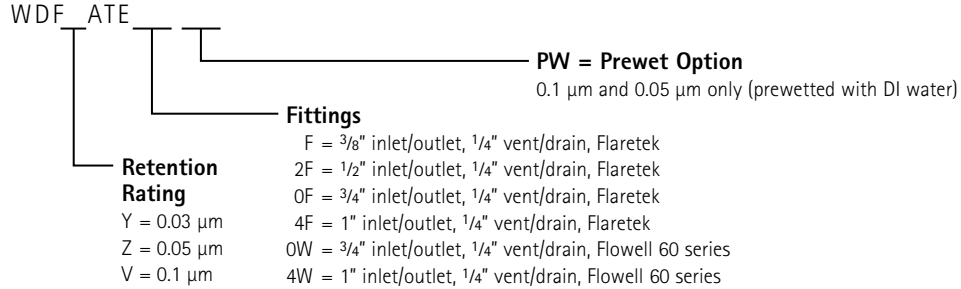
### Fluorogard ATE Chem-Line I Disposable Filters

#### Part Number



### Fluorogard ATE Chem-Line II Disposable Filters

#### Part Number



## For More Information

Please call your Regional Customer Service Center today to learn what Entegris can do for you. Visit [www.entegris.com](http://www.entegris.com) and select the Customer Service link for the center nearest you.

## Terms and Conditions of Sale

All purchases are subject to Entegris' Terms and Conditions of Sale. To view and print this information, visit [www.entegris.com](http://www.entegris.com) and select the Legal Notices link from the footer.

Entegris®, the Entegris Rings Design®, Chemlock®, Flaretek®, Fluorogard® and Chem-Line™ are trademarks of Entegris, Inc. Teflon® is a registered trademark of E.I. du Pont de Nemours and Company. Pillar® is a registered trademark of Nippon Pillar Packaging Company, Ltd. Viton®, Viton®Extreme™ and Kalrez® are trademarks of DuPont Dow Elastomers. Flowell® is a trademark of Flowell Corporation. Chemraz® is a registered trademark of Greene, Tweed of Delaware, Inc.

#### ENTEGRIS, INC.

Corporate Headquarters | 129 Concord Road | Billerica, MA 01821 USA  
Customer Service Tel. +1 952 556 4181 | Customer Service Fax +1 952 556 8022  
In North America 800 394 4083 | [www.entegris.com](http://www.entegris.com)