



FLUOROGARD® RS CARTRIDGE AND DISPOSABLE FILTERS

*Optimized for removal of films, gels and hard particles
from photoresist strippers and residue removers*

Overview

The Solution for Photoresist Stripping and Residue Removal

Fluorogard® RS filters and prefilters deliver ultimate protection from films, gels and hard particle contamination by providing high capacity removal of contaminants from photoresist stripping and residue removal chemistries. Fluorogard RS filters are specifically designed for long-life filtration of photoresist stripping chemistries at elevated temperatures.

Long-life Filtration in Both Single Pass and Recirculation Systems

The unique Fluorogard RS filters remove contaminants of photoresist stripping and residue removal chemistries in both single-pass applications and recirculation systems. Fluorogard RS filters provide 2–3 times longer life than traditional membrane filters to maximize your total filtration volume and system uptime.

Disposable Design for Easy Installation

Fluorogard RS filters are available in a disposable shell to simplify installation and changeout, and minimize downtime. The Chem-Line™ I disposable with core vent allows for easy downstream air venting from either end, regardless of setup.



Selection Guide

Fluorogard P-RS	PTFE prefilter used in series with Fluorogard RS-T in non-ashing photoresist stripping
Fluorogard RS-M	PTFE prefilter/membrane filter combination for non-ashing photoresist stripping
Fluorogard RS-T	PTFE membrane filter for photoresist stripping and residue removal after ashing

Features and Benefits

Features	Benefits
High-capacity multiple layer, membrane optimized structure and layering technology	Delivers high removal rates of photoresist contamination (films, gels and hard particles) in both single-pass and recirculation applications, with long lifetime capacity. Ensures maximum system uptime.
Available in cartridges and disposable filters; disposables available with Flaretek®, Pillar® and Flowell™ compatible fittings	Fluorogard RS prefilters and filters are easily installed or retrofitted into existing systems. The disposable version provides the added safety of a fully encapsulated, easy-to-handle housing shell. Fittings are molded into the housing and provide reliable, leak-free integrity. The disposable design limits the handling of hazardous and corrosive chemicals during installation and disposal, promoting a safer work environment.
High-flow cartridge design with optimized membrane pleating	Fluorogard RS cartridges' large surface area and optimized pleated membrane spacing and configuration provides maximum contaminant removal and longest life in a compact design, while providing high retention without sacrificing flow.
Filter available in retention ratings of 0.05 µm, 0.1 µm and 0.2 µm	Provides excellent gel and small particle retention in a single cartridge design. Reduces component costs and maximizes system uptime.

Specifications

Fluorogard RS-T and RS-M Filters

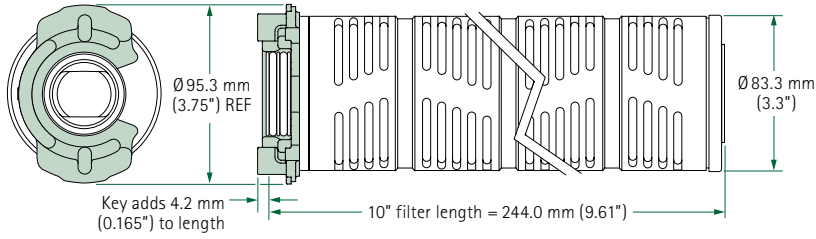
Materials:	Filtration media	RS-T	RS-M
		Optimized PTFE membrane	PTFE pre-filtration media and optimized PTFE membrane
	Upstream/downstream supports and endcaps	PFA	
	Cartridge o-ring	TEE (Teflon® fluoropolymer encapsulated ethylene-propylene rubber)	
Retention ratings:	0.2 µm, 0.1 µm, 0.05 µm		
Maximum operating conditions:	Maximum inlet pressure	0.34 MPa (3.4 bar, 50 psi) @ 25°C	
	Maximum forward/reverse differential pressure	0.27 MPa (2.7 bar, 40 psi) @ 25°C	
	Maximum operating temperature	150°C (302°F)	
Media area:	Fluorogard RS-T	13,000 cm ² (14 ft ²)	
	Fluorogard RS-M	6500 cm ² (7 ft ²)	

Fluorogard P-RS Prefilters

Materials:	Filtration media	PTFE non-woven membrane	
	Upstream/downstream supports and endcaps	PFA	
	Cartridge o-ring	TEE (Teflon fluoropolymer encapsulated ethylene-propylene rubber)	
Retention rating:	40 µm		
Maximum operating conditions:	Maximum inlet pressure	0.34 MPa (3.4 bar, 50 psi) @ 25°C	
	Maximum forward/reverse differential pressure	0.27 MPa (2.7 bar, 40 psi) @ 25°C	
	Maximum operating temperature	150°C (302°F)	
Media area:	14,000 cm ² (15.1 ft ²)		

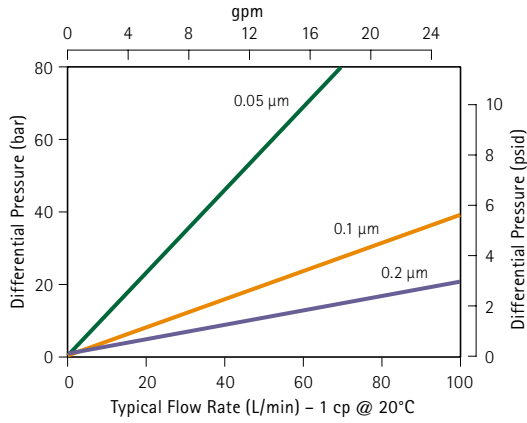
Fluorogard RS Cartridge Filters

Nominal Dimensions

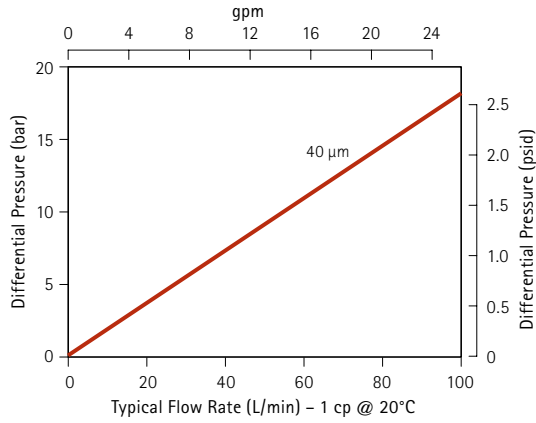


Performance Data

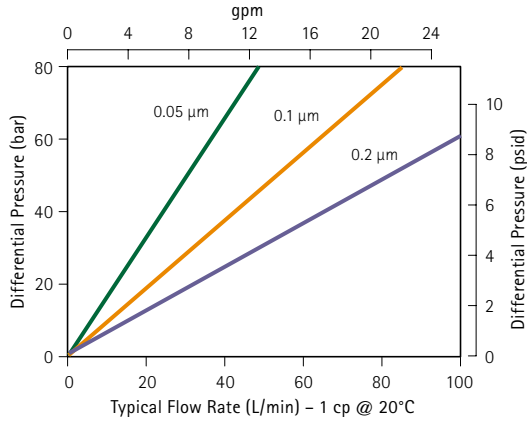
Fluorogard RS-T Cartridge Filters



Fluorogard P-RS Cartridge Filters



Fluorogard RS-M Cartridge Filters

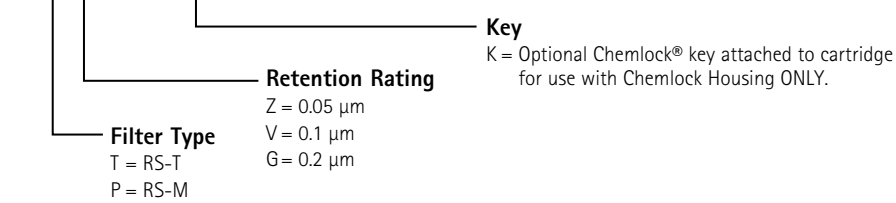


Ordering Information

Fluorogard RS-T and RS-M Cartridge Filters

Part Number

CT 01 P 01



Fluorogard P-RS Cartridge Filters

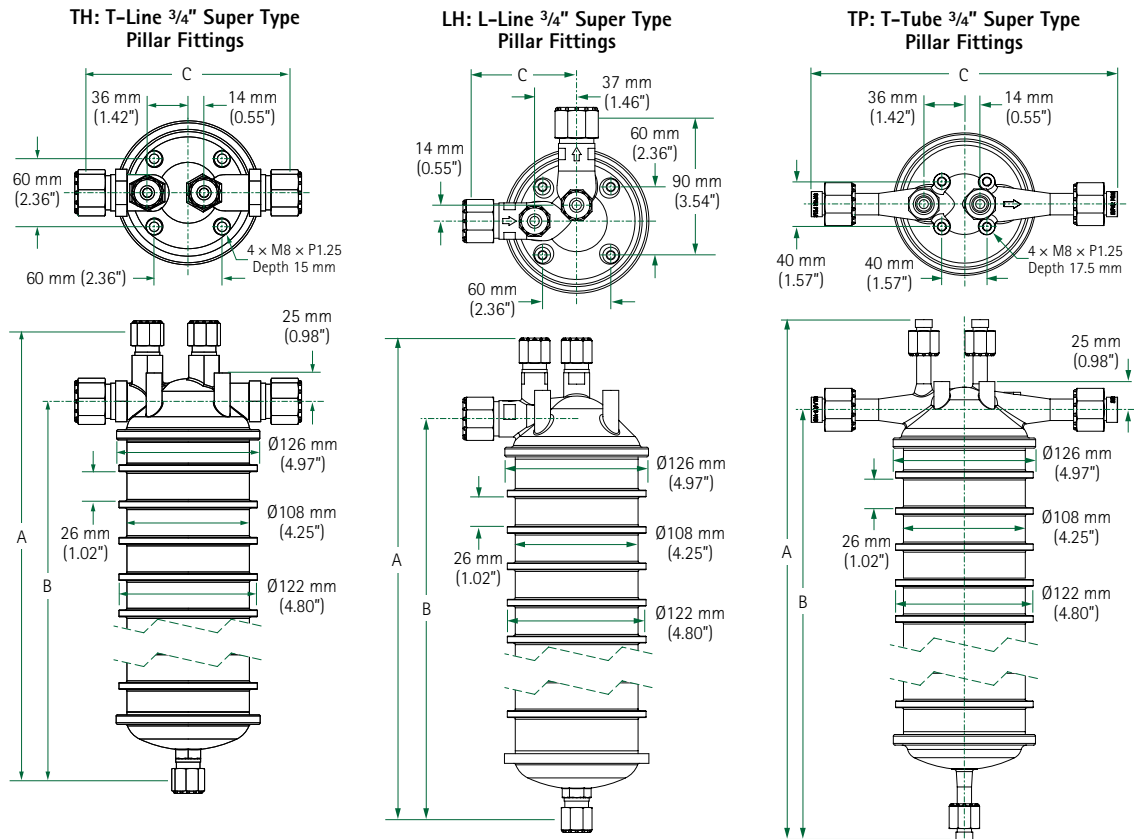
Part Number

CTPR01P01

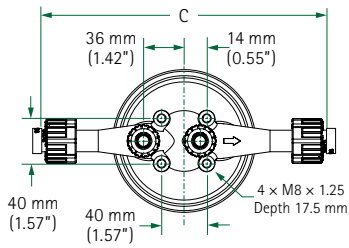


Fluorogard RS Chem-Line I Disposable Filters

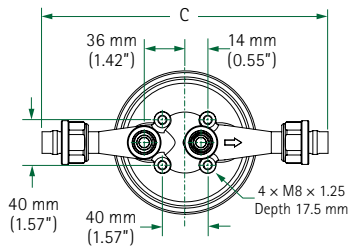
Nominal Dimensions



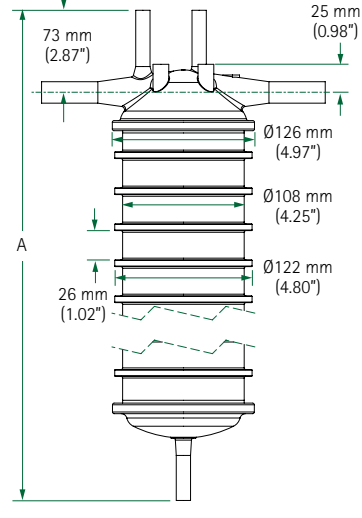
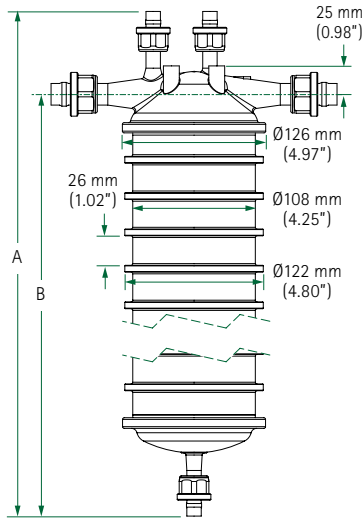
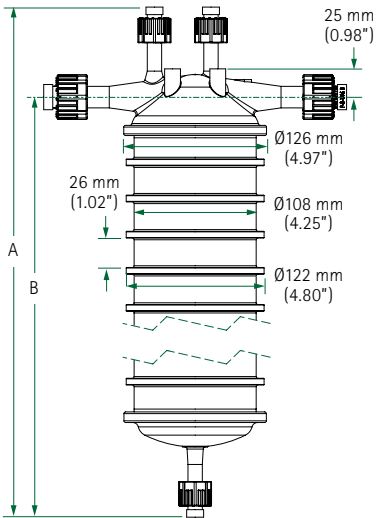
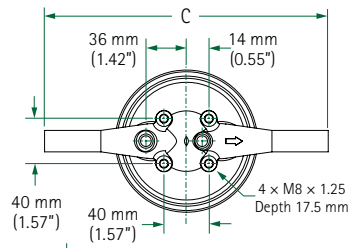
T3: T-Tube 3/4" Super 300 Type Pillar Fittings



TW: T-Tube 3/4" Flowell 20 Fittings



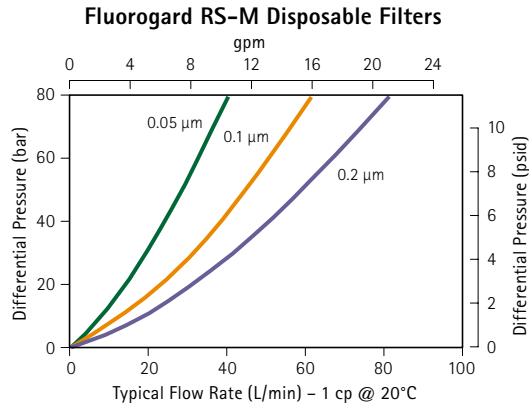
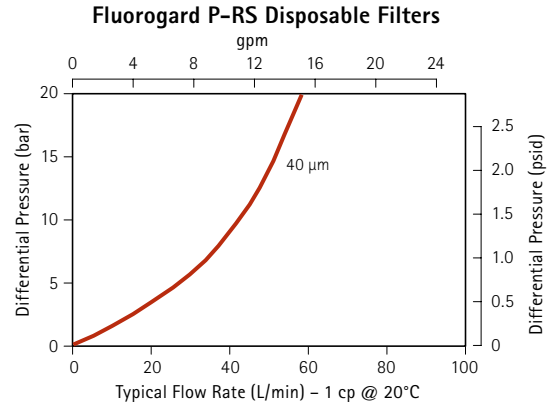
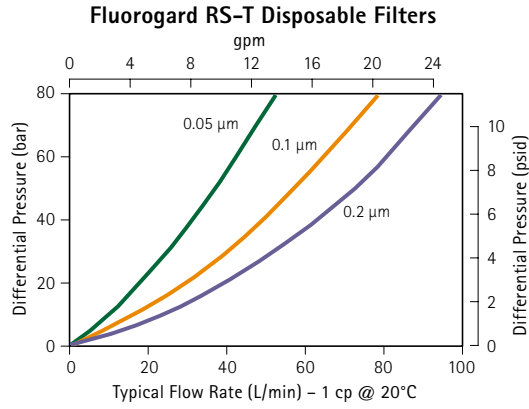
TT: T-Tube 3/4" Fittings



Nominal Dimensions

Disposable Type	Type Code	Inlet/Outlet	Vent/Drain	A (Overall Height)	B (Height: Bottom Fitting to Centerline Inlet Fitting)	
					C (Inlet to Outlet*)	
T-tube	TT	3/4"	1/2"	435 mm (17.13")	362.0 mm (14.25")	252 mm (9.92")
L-line Super Type Pillar fittings	LH	3/4"	1/2"	412 mm (16.22")	351.0 mm (13.82")	90 mm (3.54")*
T-line Super Type Pillar fittings	TH	3/4"	1/2"	396 mm (15.60")	335.0 mm (13.20")	180 mm (7.08")
T-tube Super Type Pillar fittings	TP	3/4"	1/2"	445 mm (17.52")	367.0 mm (14.45")	268 mm (10.55")
T-tube Super Type 300 Pillar fittings	T3	3/4"	1/2"	446 mm (17.56")	367.5 mm (14.47")	267 mm (10.51")
T-tube Flowell 20 series fittings	TW	3/4"	1/2"	432 mm (17.01")	360.0 mm (14.17")	250 mm (9.84")

Performance Data

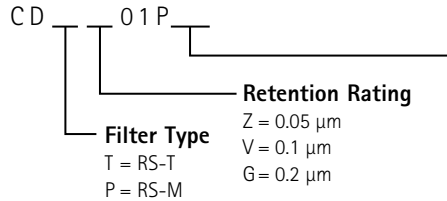


Ordering Information

Chem-Line I Disposable Filters

Fluorogard RS-T and RS-M

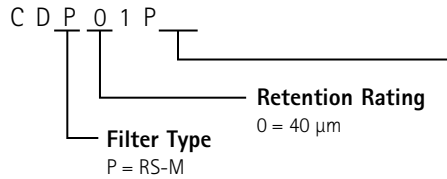
Part Number



- Fittings**
- TT = 3/4" inlet/outlet, T-tube 1/2" vent/drain, tube fittings
 - LH = 3/4" inlet/outlet, L-line 1/2" vent/drain, Super Type Pillar fittings
 - TH = 3/4" inlet/outlet, T-line 1/2" vent/drain, Super Type Pillar fittings
 - TP = 3/4" inlet/outlet, T-tube 1/2" vent/drain, Super Type Pillar fittings
 - T3 = 3/4" inlet/outlet, T-tube 1/2" vent/drain, Super 300 Type Pillar fittings
 - TW = 3/4" inlet/outlet, T-tube 1/2" vent/drain, Flowell 20 series fittings

Fluorogard P-RS

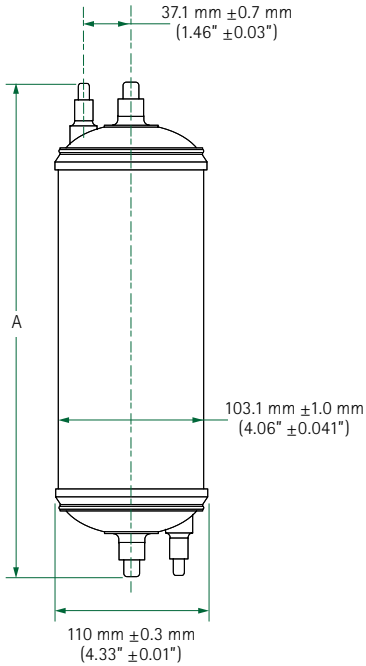
Part Number



- Fittings**
- TT = 3/4" inlet/outlet, T-tube 1/2" vent/drain, tube fittings
 - LH = 3/4" inlet/outlet, L-line 1/2" vent/drain, Super Type Pillar fittings
 - TH = 3/4" inlet/outlet, T-line 1/2" vent/drain, Super Type Pillar fittings
 - TP = 3/4" inlet/outlet, T-tube 1/2" vent/drain, Super Type Pillar fittings
 - T3 = 3/4" inlet/outlet, T-tube 1/2" vent/drain, Super 300 Type Pillar fittings
 - TW = 3/4" inlet/outlet, T-tube 1/2" vent/drain, Flowell 20 series fittings

Fluorogard RS Chem-Line II Disposable Filters

Nominal Dimensions



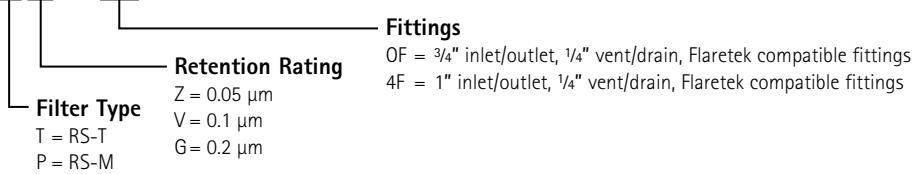
Ordering Information

Chem-Line II Disposable Filters

Fluorogard RS-T and RS-M

Part Number

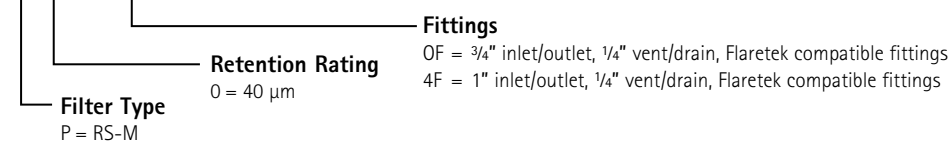
CD 01P



Fluorogard P-RS

Part Number

C D P 0 1 P



For More Information

Please call your Regional Customer Service Center today to learn what Entegris can do for you. Visit www.entegris.com and select the Customer Service link for the center nearest you.

Terms and Conditions of Sale

All purchases are subject to Entegris' Terms and Conditions of Sale. To view and print this information, visit www.entegris.com and select the Legal Notices link from the footer.

Entegris®, Fluorogard®, Flaretek®, Chemlock® and Chem-Line™ are trademarks of Entegris, Inc.
Teflon® is a registered trademark of E.I. du Pont de Nemours and Company.
Flowell™ is a trademark of Flowell Corporation.
Pillar® is a registered trademark of Nippon Pillar Packing Company, Ltd.

ENTEGRIS, INC.

Corporate Headquarters | 129 Concord Road | Billerica, MA 01821 USA
Customer Service Tel. +1 952 556 4181 | Customer Service Fax +1 952 556 8022
In North America 800 394 4083 | www.entegris.com