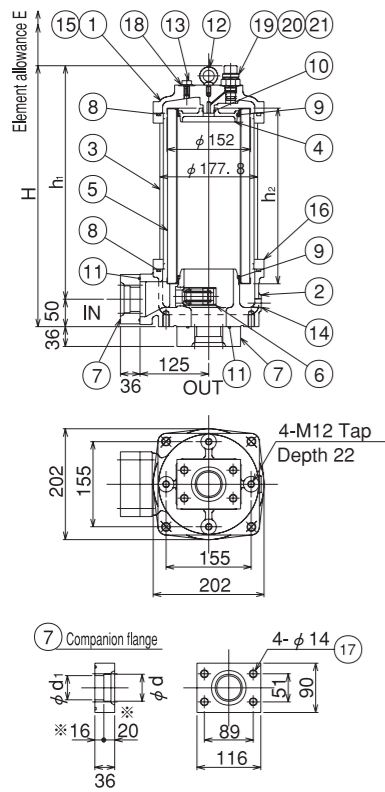




1. Maximum operating pressure: 3 MPa
2. L-port connection and element removal is upward.
3. Perfectly suited as bypass filter.
4. Please contact us for use of fire resistant fluids on O-rings and other parts.



Part List

Part No.	Part Name	Material	Qty	Remarks
21	O-ring	NBR	1	JISB 2401.1A
20	O-ring	NBR	1	JISB 2401.1B
19	Indicator	A5056	1 set	Option
18	Seal washer	SFGC	1	
17	Cap bolt	SCM435	8	
16	Cap bolt	SCM435	4	
15	Cap bolt	SCM435	4	
14	Drain plug	SCM435	1	R ^{3/8}
13	Air vent bolt	SS400	1	
12	Eyebolt	SS400	1	M8
11	O-ring	NBR	2	JISB 2401.1A
10	O-ring	NBR	1	JISB 2401.1A
9	O-ring	NBR	2	
8	O-ring	NBR	2	JISB 2401.1A
7	Companion flange	SS400	2	
6	Relief valve		1 set	
5	Element		1	
4	Element holder	AC2B	1	
3	Shell	SKM13A	1	
2	Lower cover	FCD450	1	
1	Upper cover	FCD450	1	

O-ring

Model	Part No.	8	9	10	11	18	20	21
All LCN models	G-180	AS 568-243	P-20	G-75	Seal washer 13Xφ17/φ10.5	P-18	P-14	

Note: 8 O-ring: Only upper cover side is included in Sealing Parts Set.

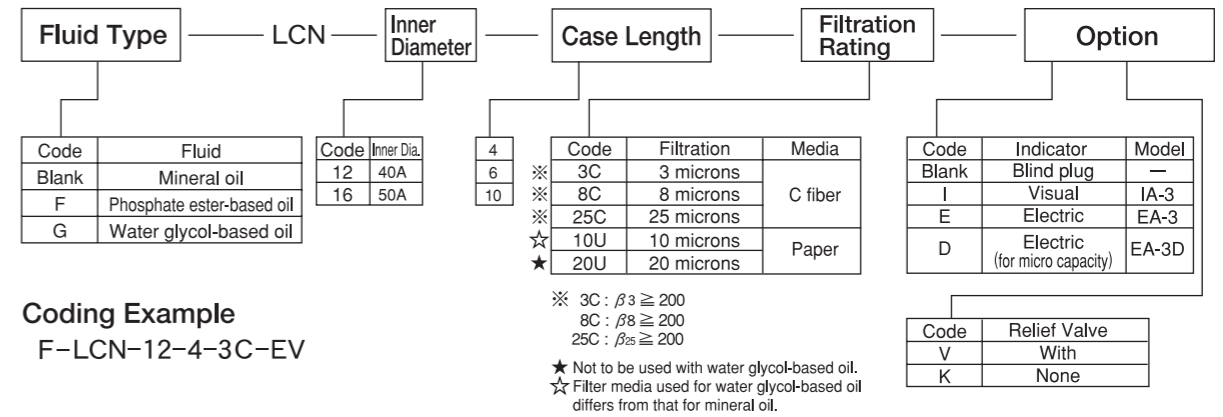
Dimensions and Standard Flow Rates

Model	Symbol	With I Type Indicator			With E Type Indicator			h ₂	Mass (kg)	Standard Flow Rate (ℓ/min)
		H	E	h ₁	H	E	h ₁			
LCN-1 ^{1/2} ₆ -4		362	155	312	416	100	366	206	30	450
LCN-1 ^{1/2} ₆ -6		578	375	528	632	320	582	426	38	500
LCN-1 ^{1/2} ₆ -10		1133	935	1083	1187	880	1137	981	57	600

Dimensions of Companion Flange

Model	Symbol	Inner Dia.	d	d ₁
LCN-12		40A	49.1	44
LCN-16		50A	61.1	55

Model Code



Coding Example
F-LCN-12-4-3C-EV

Spares

Element



Coding example : P-F-LCN-4-3C

Sealing parts set

● For element replacement (Part No. with 8 in "O-ring" .)



Coding example : SP-F-LCN-12

● For overhaul



Coding example : SA-F-LCN-12

Flow Rate Chart

● ISO VG32 ● Viscosity: 32 cSt (40°C)

