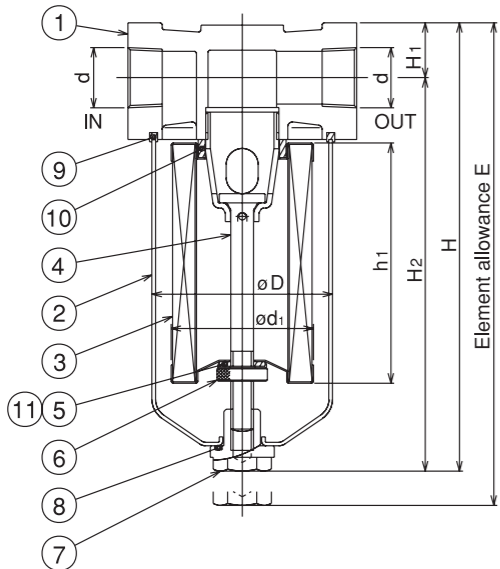
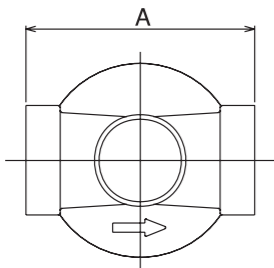


1. Thread type line filter of maximum operating pressure of 0.5 MPa.
2. Please contact us for use of fluids other than mineral oil on packing, O-rings and other parts.
3. Magnet is available in Additional Option.
4. Indicator and relief valve cannot be installed.



Part List

Part No.	Part Name	Material	Qty	Remarks
11	Packing	NBR	1	
10	Packing	NBR	1	
9	Packing	NBR	1	
8	O-ring	NBR	1	JISB 2401. 1A
7	Nut	SS	1	
6	Round nut	SS400	1	
5	Washer	SECC	1	
4	Center rod	SPCC · SS400	1	
3	Element		1	
2	Lower cover	SPCE	1	
1	Upper cover	ADC12	1	

O-ring and Packing

Model	Part No. 8	Part No. 9	Part No. 10	Part No. 11
LND-02				
LND-03				
LND-04	P-20	t4X φ 80.7/74.3	t8X φ 38.5/32.5	t2X φ 20/10
LND-06				
LND-08				

Dimensions and Standard Flow Rates

Symbol Model	d	H	H ₁	H ₂	A	D	Element Allowance E	Element		Mass (kg)	Standard Flow Rate (ℓ/min)
								h ₁	d ₁		
LND-02	Rc ¹ / ₄	139	20	119	95	79	180	66	62.2	0.85	10
LND-03	Rc ³ / ₈							95	62.2	0.85	15
LND-04	Rc ¹ / ₂	171	20	151	95	79	250	95	62.2	0.85	25
LND-06	Rc ³ / ₄	196	24	172	100	79	270	105	62.2	0.95	45
LND-08	Rc1	226	24	202	100	79	330	135	62.2	1.0	70

Quick delivery of filters in with mineral oil use. Please contact us on delivery time for others.

Model Code

Fluid Type — LND — Inner Diameter — Filtration Rating — Option

Code	Fluid	Code	Inner Dia.	Code	Filtration	Media	Code	Magnet
Blank	Mineral oil	02	Rc ¹ / ₄	※ 8C	8 microns	C fiber	Blank	None
F	Phosphate ester-based oil	03	Rc ³ / ₈	※ 25C	25 microns		M	With
G	Water glycol-based oil	04	Rc ¹ / ₂	☆ 10U	10 microns	Paper		
		06	Rc ³ / ₄	★ 20U	20 microns			
		08	Rc1	★ 40U	40 microns	Wire (SUS)		
				5UW	5 microns			
				10UW	10 microns			
				20UW	20 microns			
				40UW	40 microns			
				50UW	50 microns			
				200W	200 mesh			
				150W	150 mesh			
				100W	100 mesh			
				60W	60 mesh			
				50UK	50 microns	Notch wire		
				200K	200 mesh			
				150K	150 mesh			
				100K	100 mesh			
				60K	60 mesh			

Coding Example F-LND-08-8C-M

※ 8C : β₈ ≥ 200
 ※ 25C : β₂₅ ≥ 200
 ★ Not to be used with water glycol-based oil.
 ☆ Filter media used for water glycol-based oil differs from that for mineral oil.

Spares

Element

P — Fluid Type — LND — Inner Diameter — Filtration Rating
 Coding example: P-F-LND-08-8C

Sealing parts set

● For element replacement (Part No. with © in “O-ring and packing”).

SP — Fluid Type — LND — Inner Diameter

Coding example: SP-F-LND-08

● For overhaul

SA — Fluid Type — LND — Inner Diameter

Coding example: SA-F-LND-08

Flow Rate Chart

● ISO VG32 ● Viscosity: 32 cSt (40°C)

