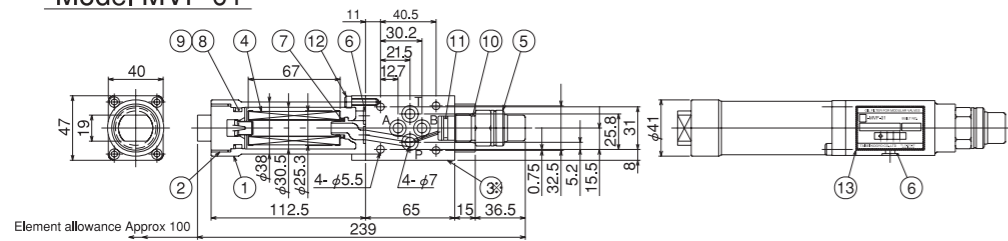
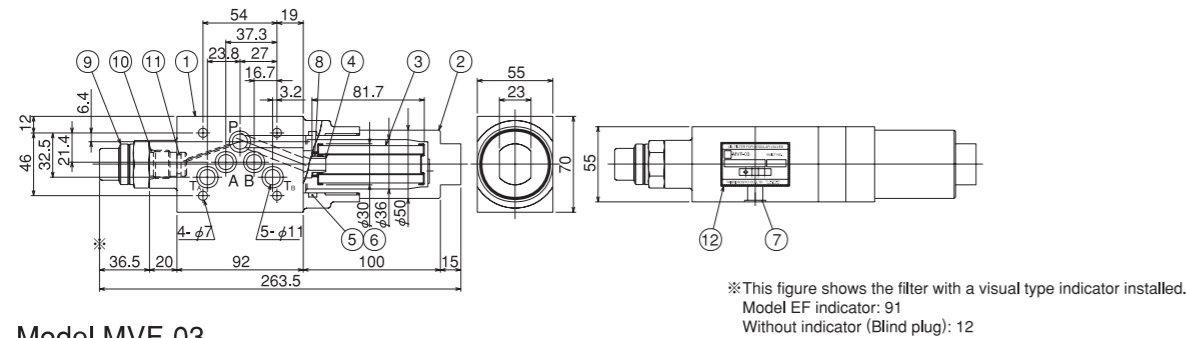


Model MVF-01



Model MVF-03



- Maximum operating pressure: 25 MPa
- Dimensions of installation face comply with ISO standards as follows.
MVF-01: ISO4401-AB-03-4-A, MVF-03: ISO4401-AC-05-4-A.

■ Part List MVF-01

Part No.	Part Name	Material	Qty	Remarks
13	Nameplate		1	
12	Cap bolt	SCM435	4	
11	O-ring	NBR	1	JISB 2401. 1A
10	O-ring	NBR	1	JISB 2401. 1B
9	Backup ring	PTFE	1	
8	O-ring	NBR	1	JISB 2401. 1A
7	O-ring	NBR	1	JISB 2401. 1A
6	O-ring	NBR	6	JISB 2401. 1B
5	Indicator		1	Option
4	Element		1	
3	Base	SS400	1	
2	Cover	SS400	1	
1	Body	SCC5	1	

■ Part List MVF-03

Part No.	Part Name	Material	Qty	Remarks
12	Nameplate		1	
11	O-ring	NBR	1	JISB 2401. 1A
10	O-ring	NBR	1	JISB 2401. 1B
9	Indicator	SUS,Nylon	1	Option
8	O-ring	NBR	1	JISB 2401. 1A
7	O-ring	NBR	5	Hs90
6	O-ring	NBR	1	JISB 2401. 1A
5	Backup ring	PTFE	1	
4	Coupling	SS400	1	
3	Element		1	
2	Case	SS400	1	
1	Base	FCD450	1	

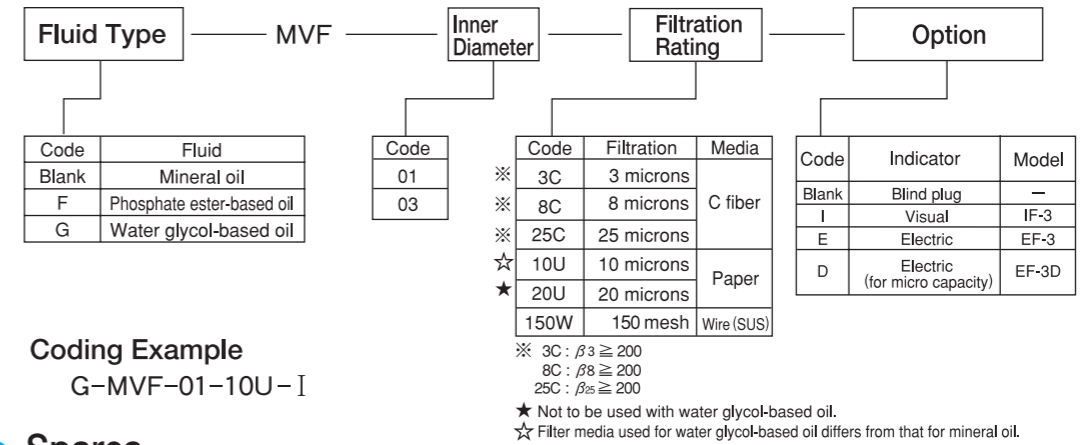
■ O-ring and Backup Ring MVF-01

Part No.	6	7	8	9	10	11
Model						
MVF-01	P-9	P-10	P-25	JIS B2407,T2 ,P-25(Bias)	P-18	P-14

■ O-ring and Backup Ring MVF-03

Part No.	5	6	7	8	10	11
Model						
MVF-03	JIS B2407,T2 ,P-42(Bias)	P-42	AS568-014	P-12	P-18	P-14

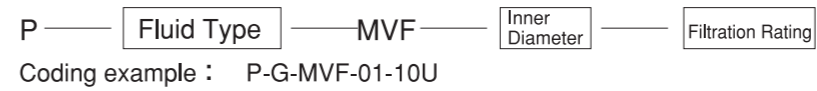
Model Code



Coding Example
G-MVF-01-10U-I

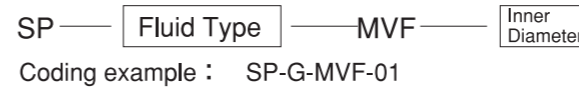
Spares

■ Element

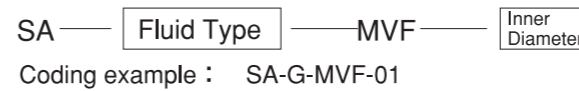


■ Sealing parts set

● For element replacement (Part No. with ◎ in “O-ring and Backup ring” .)



● For overhaul



Flow Rate Chart

- ISO VG32
- Viscosity: 32 cSt (40°C)

