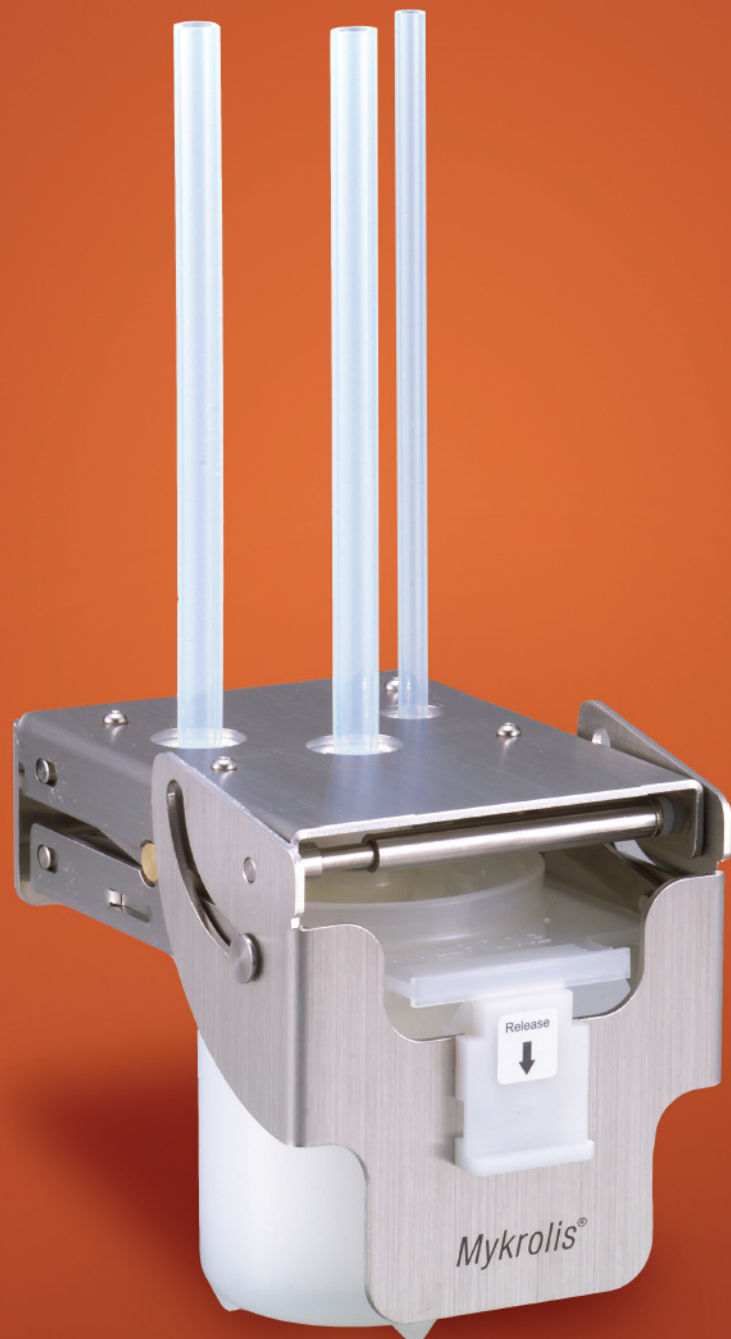




## OPTIMIZER® ST2 MANIFOLD

*For use with Optimizer ST DEV/DI filters for point-of-use developer and DI water applications in photolithography*



# *the solution for rapid filter changeout*

## Overview

Developed from the Mykrolis® microcontamination control technologies, the Optimizer® ST2 manifold provides rapid filter changeout with minimal dripping. With no tools and no draining required, you can change the filter in less than one minute. The compact, stable design provides easy installation or retrofitting into existing tools.

### Superior Manufacturing

- Manufactured in a world-class, ISO 9001 quality systems standard facility
- Manufactured, tested and packaged in a clean-room to ensure product cleanliness

### Superior Performance

- Rapid filter changeout with minimal exposure to process fluids
- Disposable point-of-use filters for small to midvolume process fluid filtration needs

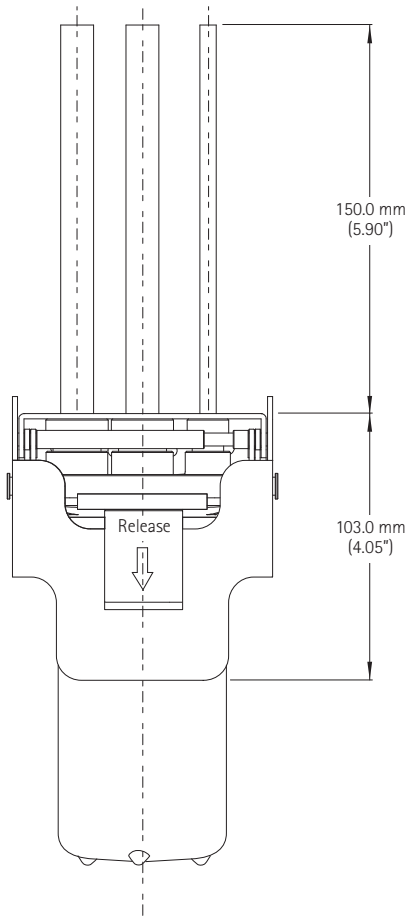
Features	Benefits
Self-contained, compact unit, requires no tools to change filter	Provides rapid filter changeout in less than one minute
Unique connection design	Ensures rapid startup with minimal exposure to process chemicals for a safer filter change Minimal hold-up volume decreases chemical waste at changeout
Compact disposable design	Provides dramatic space savings advantage and plumbing flexibility, enabling smaller footprint system configurations

## Specifications

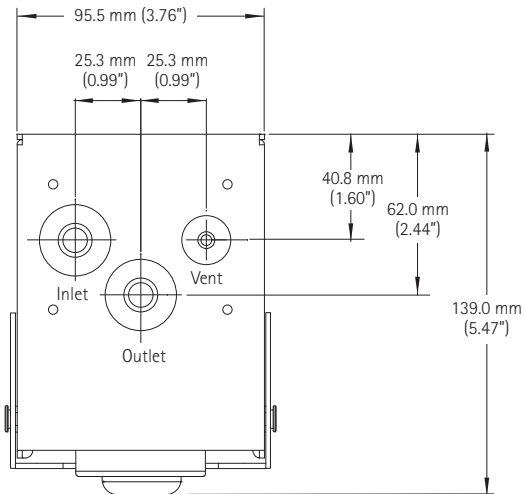
Materials:	Tubes and wetted surfaces	PFA
	Nonwetted components	Stainless steel
	Release tab	POM
	O-rings	See ordering information
Maximum operating conditions:	Maximum inlet pressure	0.39 MPa (3.9 bar, 57 PSI) @ 25°C

# Dimensions

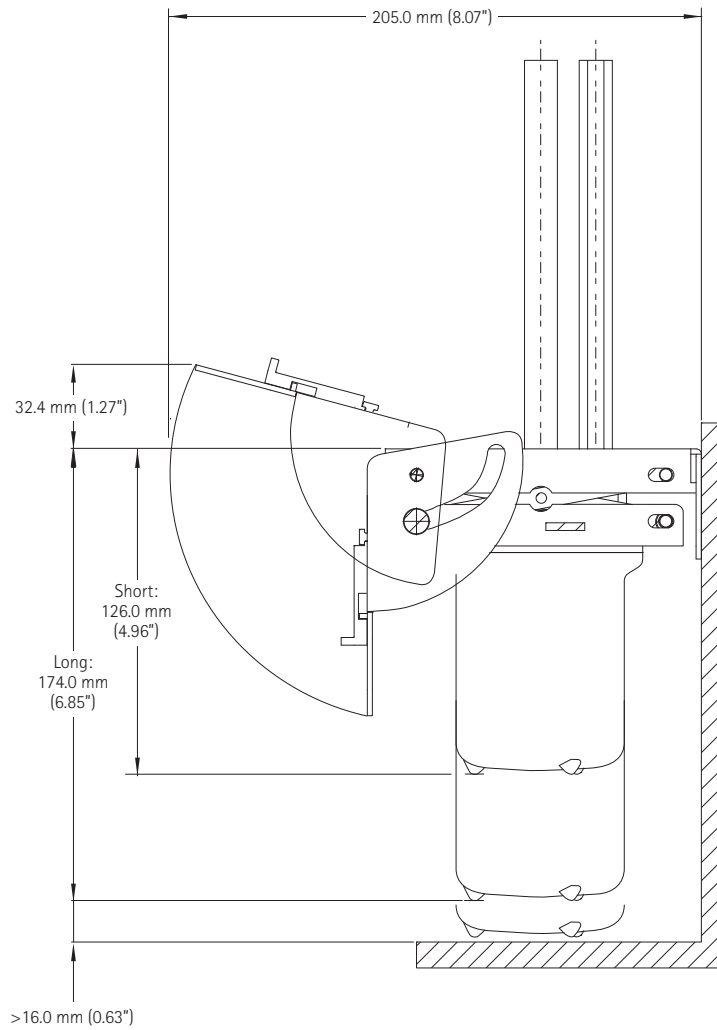
Front View



Top View



Side View



## Ordering Information

### Optimizer ST2 Manifold

O-ring Material		Tube Type (Standard)	
EPDM	Kalrez®	Size	
Part Number		Inlet/Outlet	Vent
AMVT442E1	AMVT442K1	12.70 mm	6.35 mm
AMVT332E1	AMVT332K1	9.53 mm	6.35 mm
AMVT222E1	AMVT222K1	6.35 mm	6.35 mm
AMVT884E1	AMVT884K1	8.00 mm	4.00 mm
AMVT664E1	AMVT664K1	6.00 mm	4.00 mm
Thin Tube Type			
AMVT442ET	AMVT442KT	12.70 mm	6.35 mm
AMVT332ET	AMVT332KT	9.53 mm	6.35 mm
AMVT222ET	AMVT222KT	6.35 mm	6.35 mm
Flaretek® Fitting Type			
AMVF442E1	AMVF442K1	12.70 mm	6.35 mm
AMVF332E1	AMVF332K1	9.53 mm	6.35 mm

### Optimizer ST2 Manifold L Flowell® 60 Elbow Type (Thin Tube)

O-ring Material		Tube Type (Standard)	
EPDM	Kalrez	Size	
Part Number		Inlet/Outlet	Vent
AMVXL42ET(T)	AMVXL42KT	12.70 mm	6.35 mm
AMVXL32ET(T)	AMVXL32KT	9.53 mm	6.35 mm
AMVXL22ET(T)	AMVXL22KT	6.35 mm	6.35 mm

### Optimizer ST2 Manifold No O-ring (Easy Change) O-ring Type

Part Number	Tube Type	
	Inlet/Outlet	Vent
AMVT44201	12.70 mm	6.35 mm
AMVT33201	9.53 mm	6.35 mm
AMVT22201	6.35 mm	6.35 mm
AMVT88401	8.00 mm	4.00 mm
AMVT66401	6.00 mm	4.00 mm
Thin Tube Type		
AMVT442NT	12.70 mm	6.35 mm
AMVT332NT	9.53 mm	6.35 mm
AMVT222NT	6.35 mm	6.35 mm
Flowell 60 Fitting Type		
AMVFXXX601	10.00 mm	6.00 mm

### Accessories

Part Number	Description
P03993J	Kalrez o-ring AS-568A-016
P03994J	Kalrez o-ring AS-568A-012

## For More Information

Please call your Regional Customer Service Center today to learn what Entegris can do for you. Visit [www.entegris.com](http://www.entegris.com) and select the "Customer Service" link for the center nearest you.

## Terms and Conditions of Sale

All purchases are subject to Entegris' "Terms and Conditions of Sale." To view and print this information, visit Entegris' website at [www.entegris.com](http://www.entegris.com) and select the Legal Notices link from the footer found on the home page.

Entegris®, Mykrolis®, Flaretek® and Optimizer® are registered trademarks of Entegris, Inc. Kalrez® is a registered trademark of DuPont Dow Elastomers, L.L.C. Flowell® is a registered trademark of Flowell Corporation.

### ENTEGRIS, INC.

Corporate Headquarters / 3500 Lyman Boulevard / Chaska, Minnesota 55318 USA  
Customer Service Tel. +1 952-556-4181 / Customer Service Fax +1 952-556-8022  
[www.entegris.com](http://www.entegris.com)