

Panelgard™ 334 PTFE Plus Cartridge Filters

High-flow PTFE cartridge filters

Panelgard™ 334 PTFE Plus cartridge filters are designed to filter process fluids in the microelectronics industry. Constructed of a PTFE pleated membrane with polypropylene supports, these filters provide durability and high-flow performance with low pressure drop, increasing uptime, and process yield.



APPLICATIONS

- Stripper, IPA, or solvent applications
- Wet etch chemical applications

FEATURES & BENEFITS

- High-flow, lower pressure drop performance increases equipment uptime and process yield
- High-flow and efficient particle removal ensures rapid particle removal in one-pass and recirculating applications

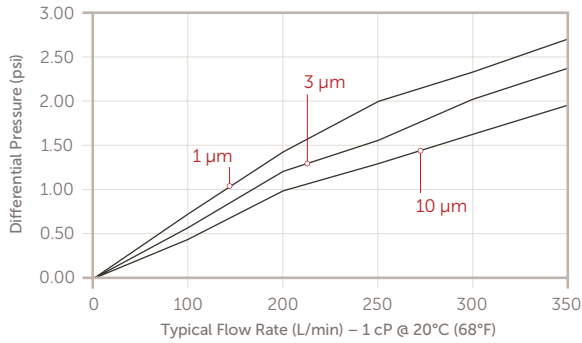
SPECIFICATIONS

Materials	Membrane	Hydrophobic PTFE and Hydrophilic PTFE
	Supports, core, sleeve	Polypropylene
	O-ring (Code R: AS568-334)	EPDM, E-FKM (encapsulated fluoroelastomer)
Retention rating	Hydrophobic: 1, 3, 10 µm Hydrophilic: 0.1, 0.2, 0.5, 1, 3, 10 µm	
Operating conditions	Maximum forward differential pressure: 0.41 MPa @ 20°C (68°F) Maximum reverse differential pressure: 0.10 MPa @ 20°C (68°F) Maximum operating temperature: 80°C (176°F)	
Dimensions (nominal)	Length: 267.7 mm (10.54") Diameter: 131.5 mm (5.18")	

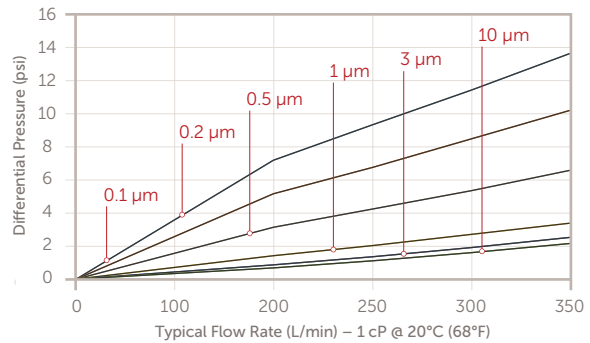
Note: These preliminary specifications and features are subject to change.

PERFORMANCE DATA

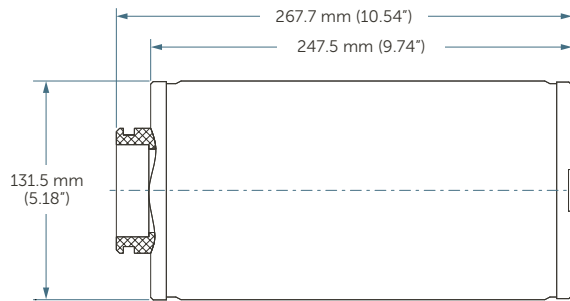
Panelgard 334 PTFE Plus Cartridge Filters (Hydrophobic)



Panelgard 334 PTFE Plus Cartridge Filters (Hydrophilic)



DIMENSIONS



ORDERING INFORMATION

Panelgard 334 PTFE Plus Cartridge Filters: part number

PY R 1P

- Quantity: 1P = 1/pack
- O-ring: E = EPDM, T = E-FKM
- Length: 10 = 10"
- Code: R = AS568-334 O-ring
- Retention rating:

V = 0.1 µm	A = 1 µm
G = 0.2 µm	S = 3 µm
H = 0.5 µm	C = 10 µm
- Form Factor:

O = PTFE-HP (hydrophilic)
E = PTFE (hydrophobic)

FOR MORE INFORMATION

Please call your Regional Customer Service Center today to learn what Entegris can do for you. Visit entegris.com and select the [Contact Us](#) link to find the customer service center nearest you.

TERMS AND CONDITIONS OF SALE

All purchases are subject to Entegris' Terms and Conditions of Sale. To view and print this information, visit entegris.com and select the [Terms & Conditions](#) link in the footer.



Corporate Headquarters
129 Concord Road
Billerica, MA 01821
USA

Customer Service
Tel +1 952 556 4181
Fax +1 952 556 8022
Toll Free 800 394 4083

Entegris®, the Entegris Rings Design®, and other product names are trademarks of Entegris, Inc. as listed on entegris.com/trademarks. All third-party product names, logos, and company names are trademarks or registered trademarks of their respective owners. Use of them does not imply any affiliation, sponsorship, or endorsement by the trademark owner.

©2020-2022 Entegris, Inc. | All rights reserved. | Printed in the USA | 4426-11345ENT-0122