



**PLANARGARD® CL BULK AND
POINT-OF-USE CARTRIDGE FILTERS**

*Designed to meet the needs of
next generation copper and ILD slurries*



high retention graded-density filter technology

Overview

Entegris' Planargard® CL graded-density depth filters provide CMP applications the critical performance balance between the removal of defect-causing agglomerate gels and delivery of the necessary slurry solution to the wafer surface. Fabricated of durable polypropylene, Planargard CL accomplishes this balance through a filter matrix capture mechanism, reducing the potential for premature filter “plugging” as the particles are retained in the filter.

Performance

Planargard CL filters remove only disruptive particles from the CMP slurry, leaving the active slurry components in the stream to perform in

concert with the pad. The size distribution of the slurry particles is unchanged after filtration, ensuring that a consistent slurry solution is delivered to the wafer surface.

Filter Selection

Planargard CL filters are available in an array of options to match your application specific filtration objectives. Entegris is proud to offer the knowledge and applications expertise of our worldwide technical support team to our customers when selecting and evaluating the ideal filter for your applications.

Features	Benefits
Nonwoven media design	Enables the filter to retain defect-causing agglomerates with high efficiency
Removes only those particles that are disruptive	The particle size distribution of the "working" slurry particles does not change after filtration
Available in 0.3, 0.5, 0.7 and 1.0 µm sizes	Designed to meet the needs for bulk and point-of-use filtration of CMP slurries

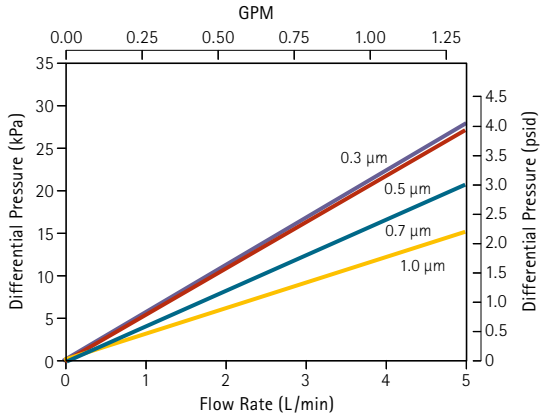
Specifications

Materials of construction:	All polypropylene construction	
	Cartridge o-ring	EPR, 2-222
Operating conditions:	Maximum forward differential pressure	0.48 MPa (4.8 bar, 70 psi) @ 25°C
	Maximum reverse pressure	0.15 MPa (1.5 bar, 70 psi) @ 20°C
Available sizes and adapters:	Length	5", 10", 20", 30"
	Adapter	222
Available retention rating:	0.3, 0.5, 0.7 and 1.0 µm	

Performance Data

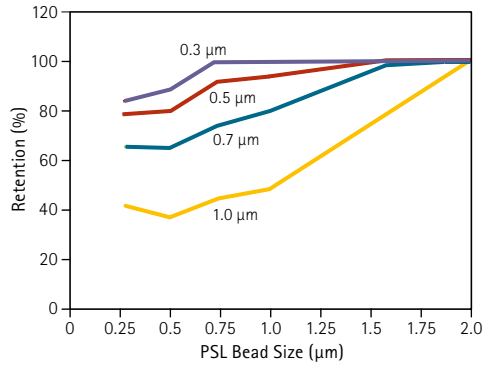
**Pressure Drop for Planargard CL
0.3, 0.5, 0.7 and 1.0 µm Cartridges**

Tested in DI Water

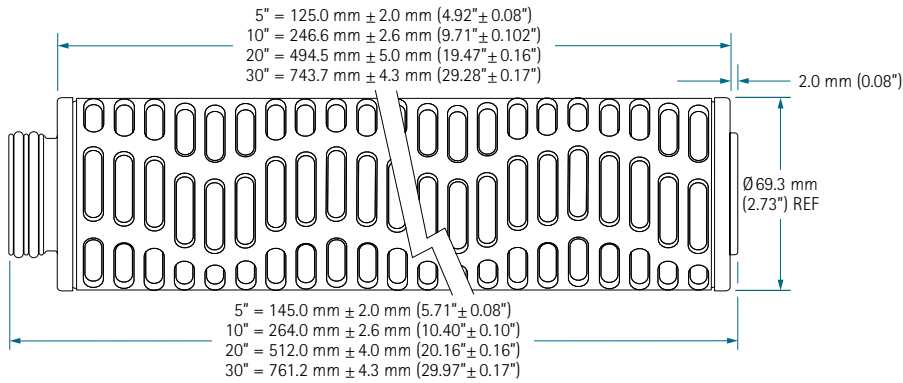


**Retention of Planargard CL
0.3, 0.5, 0.7 and 1.0 µm Cartridges**

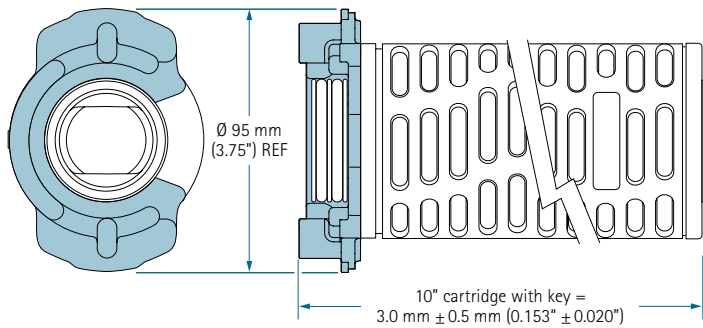
PSL Beads Dispersed in DI Water



Dimensions



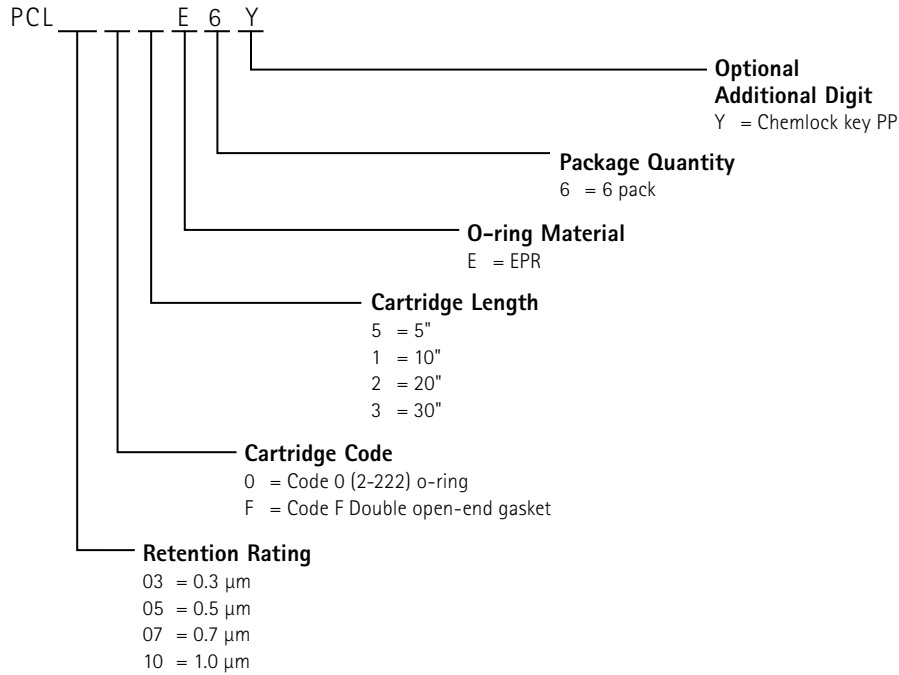
End View Chemlock® Key on Cartridge



Ordering Information

Planargard CL Cartridge Filters

Part Number



Example:

PCL0701E6 = Planargard CL 0.7 μm , code 0, 10", EPR, 6 pack

PCL0701E6Y = Planargard CL 0.7 μm , code 0, 10", EPR, 6 pack, Chemlock key PP

For More Information

Please call your Regional Customer Service Center today to learn what Entegris can do for you. Visit www.entegris.com and select the Customer Service link for the center nearest you.

Terms and Conditions of Sale

All purchases are subject to Entegris' Terms and Conditions of Sale. To view and print this information, visit www.entegris.com and select the Legal Notices link from the footer.

Entegris®, the Entegris Rings Design®, Creating a Material Advantage®, Planargard® and Chemlock® are registered trademarks of Entegris, Inc.

ENTEGRIS, INC.

Corporate Headquarters | 129 Concord Road | Billerica, MA 01821 USA
Customer Service Tel. +1 952 556 4181 | Customer Service Fax +1 952 556 8022
In North America 800 394 4083 | www.entegris.com

©2001–2013 Entegris, Inc. All rights reserved Printed in USA 4423-5038ENT-1113

