



**QUICKCHANGE® CARTRIDGE  
AND DISPOSABLE FILTERS**

*Reliable nondewetting membrane technology in a  
prewet filter that delivers yield enabling particle  
protection, ease-of-use and rapid changeout*



# *the solution for aqueous-based chemical processes*

## Overview

QuickChange® filters are designed for use in aqueous-based chemical systems where the risk of particle contamination cannot be tolerated. Entegris' patented, nondewetting PTFE filter membrane delivers yield enabling performance by providing consistent retention properties. The QuickChange technology is proven to retain its nondewetting properties in outgassing chemistries and when chemical baths are drained or purged.

### Superior Filtration Efficiency and High Flow

The combination of a nondewetting pleated membrane in a large filtration-area device allows QuickChange filters to maintain high flow, even with small pore sizes.

QuickChange filters are available in a variety of retention ratings (0.03 to 0.2 µm) and working membrane areas to provide high flow and superior filtration efficiency. By maintaining consistent flow rates in outgassing chemistries such as SPM, SC1 and SC2, QuickChange filters can help stabilize process parameters and decrease system downtime.

### Variety of Filtration Formats

QuickChange filters are available in a variety of pleated cartridge and disposable filter formats to maximize installation flexibility and ease of retrofits. The use of several pleating designs and cartridge formats allows for various combinations of filter sizes and flow rate capabilities as outlined below:

Filter Type	Diameter	Pleat Type	Membrane Area	Filter Design Benefits
AT	70 mm (2.75")	Standard	0.9 m <sup>2</sup> (9.7 ft <sup>2</sup> )	Lowest cost, low flow filtration. Legacy and multi-round housing applications.
ATX	83 mm (3.25")	Standard	1.3 m <sup>2</sup> (14 ft <sup>2</sup> )	Low cost filtration with moderate flow needs. Legacy processes.
ATM	83 mm (3.25")	M-Pleat	1.8 m <sup>2</sup> (19.4 ft <sup>2</sup> )	Good value filtration for higher flow recirculating applications.
ATE	83 mm (3.25")	M-Pleat	2.2 m <sup>2</sup> (23.7 ft <sup>2</sup> )	Most advanced, best value filtration. Highest flow, viscous chemistries.

Additionally, QuickChange filters are available in disposable designs which eliminates handling of the filter element and decreases the possibility of contamination, making these filters ideal for critical applications that require highest purity liquids. QuickChange disposable filters feature a compact and easy-to-handle housing shell, which reduces potential exposure to hazardous chemicals during installation and disposal, and promotes a safer working environment. QuickChange disposable filters include the larger format Chem-Line™ I and Chem-Line II types as well as the smaller format 1000, 1500 and 3000 point-of-use types.

### Less Handling, More Cleanliness and Safety

QuickChange filters are delivered water-wet and require no IPA prewetting prior to use, reducing filter change-out time. Without a prewetting requirement, QuickChange filters prevent alcohol/chemical interaction, avoid potential sources of contamination and eliminate the cost and inconvenience of hazardous waste disposal.

## Features and Benefits

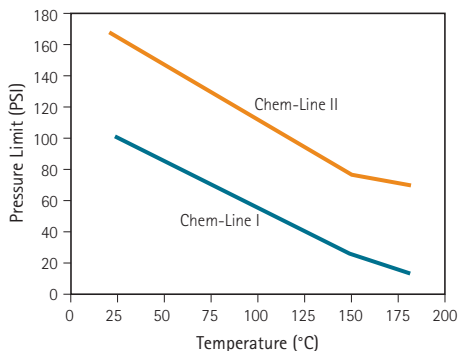
Features	Benefits
Nondewetting PTFE membrane	High-performance membrane prevents dewetting in air, during installation or chemical dumps/drains
	Consistent flow and retention in outgassing chemistries
Packaged in ultrapure DI water	Eliminates prewetting and flushing cycles
	High-purity, clean and ready-to-use filter
Minimized cost of ownership	ATM and ATE high membrane format filters for high flow and extended filter lifetime
	Nondewetting membrane enables rapid filter changeout maximizing process uptime
	Reduces wear and tear of wet bench pumps minimizing maintenance costs
Variety of pleating designs	AT, ATX, ATM and ATE filter designs for optimized flow/cost benefit
Disposable filter options	Requires less space for changeout
	Incorporates no o-ring to avoid potential sources of contamination
	Allows quick installation and minimizes downtime while limiting handling and exposure to hazardous chemicals
Aqueous-based chemical compatibility	Recommended for ambient temperature chemicals (including H <sub>2</sub> SO <sub>4</sub> , H <sub>3</sub> PO <sub>4</sub> , HNO <sub>3</sub> , HCl, NH <sub>4</sub> OH, H <sub>2</sub> O <sub>2</sub> , TMAH and ozonated water) and elevated temperature applications (including SC1, SC2, SPM, nitride etch, metal etch and various other semi-aqueous resist strippers)

## Product Attributes and Specifications

		AT/ATX/ATM/ATE				1000/1500/3000			
Materials	Membrane	Prewet, nondewetting PTFE				Prewet, nondewetting PTFE			
	Supports	PFA				PFA			
	Cartridge o-ring options	TEV (Teflon® Encapsulated Viton), Chemraz® or Kalrez®, Viton® Extreme™ ETP				N/A (disposables only)			
	Shell (for disposables)	PFA (Chem-Line I and PFA Chem-Line II type)				PFA			
Retention rating:		0.03 µm, 0.05 µm, 0.1 µm and 0.2 µm				0.03 µm, 0.05 µm, 0.1 µm and 0.2 µm			
Membrane area:		AT	ATX	ATM	ATE	1000	1500	3000	
	4"	—	0.5 m <sup>2</sup> (5.4 ft <sup>2</sup> )	—	—	0.03 µm	0.1 m <sup>2</sup> (1.1 ft <sup>2</sup> )	0.18 m <sup>2</sup> (1.9 ft <sup>2</sup> )	0.45 m <sup>2</sup> (4.8 ft <sup>2</sup> )
	10"	0.9 m <sup>2</sup> (9.7 ft <sup>2</sup> )	1.3 m <sup>2</sup> (14 ft <sup>2</sup> )	1.8 m <sup>2</sup> (19.4 ft <sup>2</sup> )	2.2 m <sup>2</sup> (23.7 ft <sup>2</sup> )	0.05 µm	0.1 m <sup>2</sup> (1.1 ft <sup>2</sup> )	0.12 m <sup>2</sup> (1.3 ft <sup>2</sup> )	0.3 m <sup>2</sup> (3.2 ft <sup>2</sup> )
	20"	1.8 m <sup>2</sup> (19.4 ft <sup>2</sup> )	2.6 m <sup>2</sup> (28 ft <sup>2</sup> )	3.6 m <sup>2</sup> (38.8 ft <sup>2</sup> )	4.4 m <sup>2</sup> (47.4 ft <sup>2</sup> )	0.01 µm	0.1 m <sup>2</sup> (1.1 ft <sup>2</sup> )	0.13 m <sup>2</sup> (1.4 ft <sup>2</sup> )	0.3 m <sup>2</sup> (3.2 ft <sup>2</sup> )
	30"	2.7 m <sup>2</sup> (29 ft <sup>2</sup> )	—	—	—	0.02 µm	—	0.13 m <sup>2</sup> (1.4 ft <sup>2</sup> )	0.3 m <sup>2</sup> (3.2 ft <sup>2</sup> )
Cartridge connections:		Code 0 (2-222) o-rings				N/A			
Maximum operating conditions:	Max. operating pressure	0.58 MPa (5.8 bar; 84 PSI) @ 25°C 0.097 MPa (0.97 bar; 14 PSI) @ 180°C				0.44 MPa (4.4 bar; 64 PSI) @ 25°C 0.19 MPa (1.9 bar; 28 PSI) @ 95°C			
	Max. forward differential pressure	0.44 MPa (4.4 bar; 64 PSI) @ 25°C 0.05 MPa (0.52 bar; 7.5 PSI) @ 180°C				0.39 MPa (3.9 bar; 57 PSI) @ 25°C 0.19 MPa (1.9 bar; 27 PSI) @ 95°C			
	Max. reverse differential pressure	0.34 MPa (3.45 bar; 50 PSI) @ 25°C				0.29 MPa (2.9 bar; 42 PSI) @ 25°C			
	Max. operating temperature	180°C				95°C			
Metallic extractables:	Device	Standard		UCM		Standard clean: to <10 µg/device UCM: to <3 µg/device			
	Cartridge	<25 µg/device		<10 µg/device					
	Disposable	<10 µg/device		<3 µg/device					
Particle shedding cleanliness:		<15 particles/10 mL ≥0.2 µm @ 5 L/min DI water flow				<10 particles/10 mL ≥0.2 µm @ 5 L/min DI water flow			
TOC recovery (per 10" equivalent):	Cartridge	within 10 ppb of feed after 120 L flush @ 1 L/min				Within 5 ppb of feed after 30 min flush @ 3.8 L/min			
	Disposable	within 5 ppb of feed after 25 min flush @ 5 L/min							
Resistivity recovery (per 10" equivalent):		Within 0.5 MΩ of feed after a 120 L water flush @ 1 L/min							

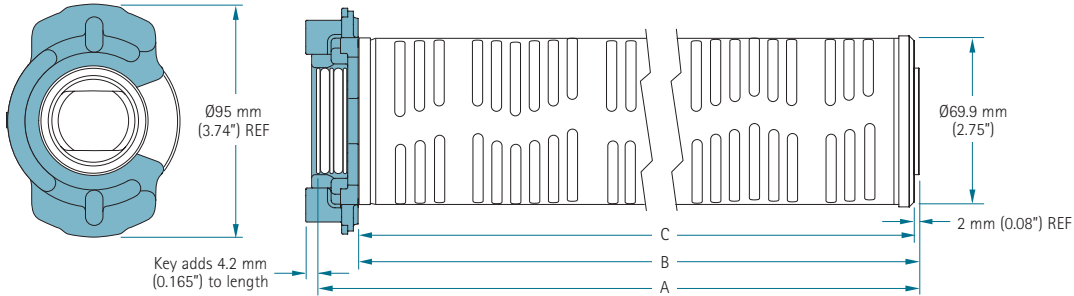
## Performance Data

Hydraulic Performance for Disposable Products



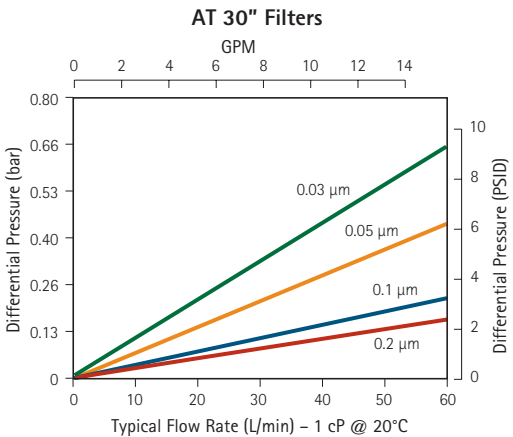
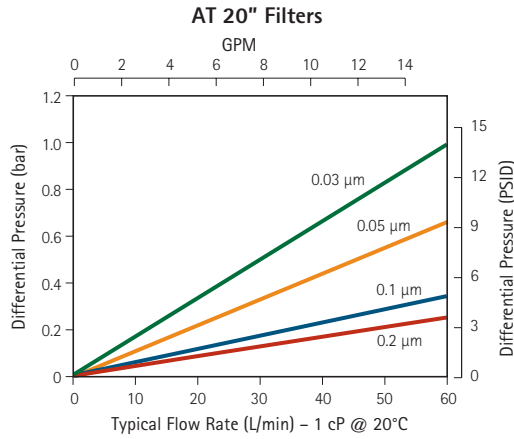
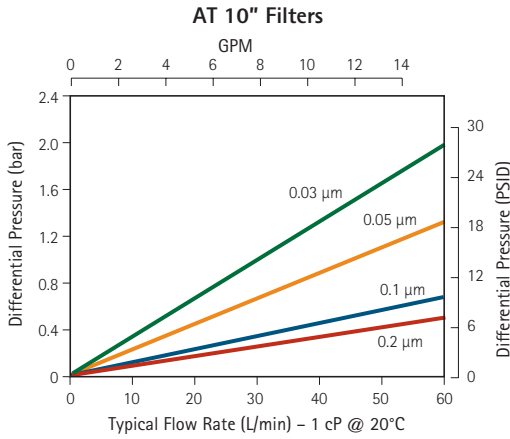
# QuickChange AT Cartridge Filters

## Nominal Dimensions



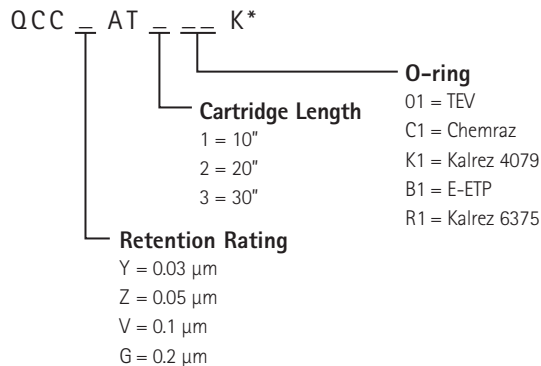
Length	A Overall	B Control	C Shoulder
4"	132.3 mm (5.21")	115.0 mm (4.53")	113.0 mm (4.45")
10"	262.3 mm (10.33")	245.0 mm (9.65")	243 mm (9.57")
20"	498.3 mm (19.62")	479.0 mm (18.86")	477.0 mm (18.78")
30"	738.3 mm (29.07")	719.0 mm (28.31")	717.0 mm (28.23")

## Performance Data



## Ordering Information

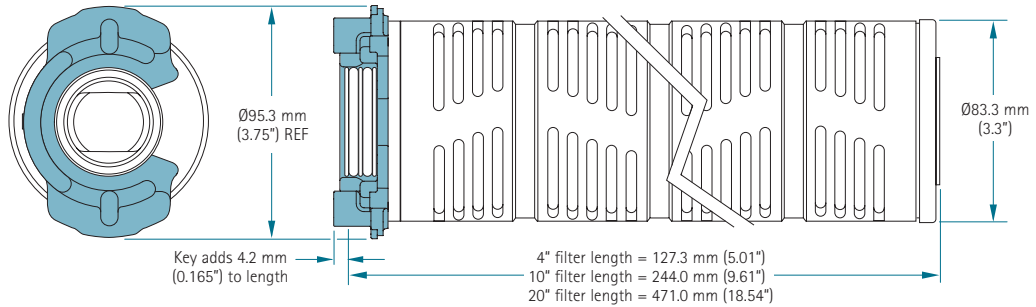
### Part Number



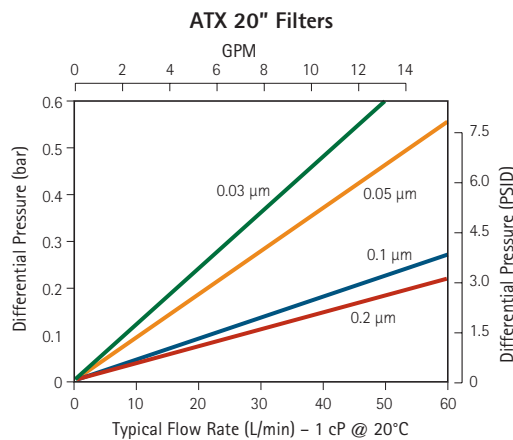
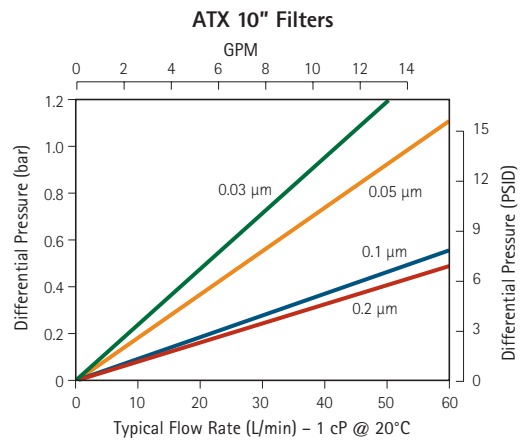
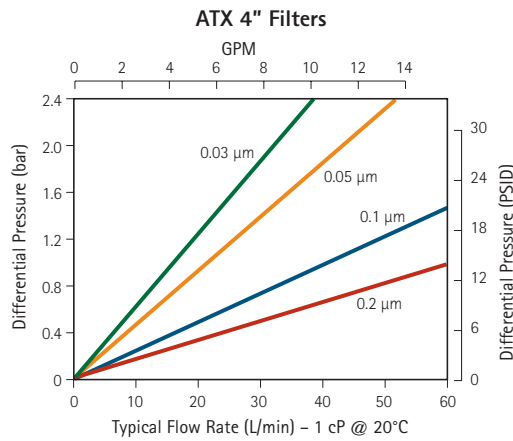
\*Optional Chemlock key attached to cartridge for use with Chemlock housing ONLY

## QuickChange ATX, ATM and ATE Cartridge Filters

### Nominal Dimensions



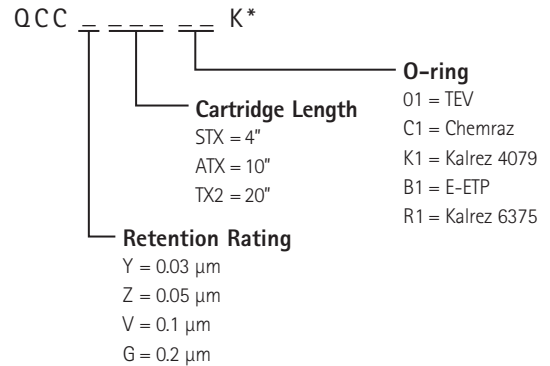
### QuickChange ATX Performance Data



### Ordering Information

#### QuickChange ATX Cartridge Filters

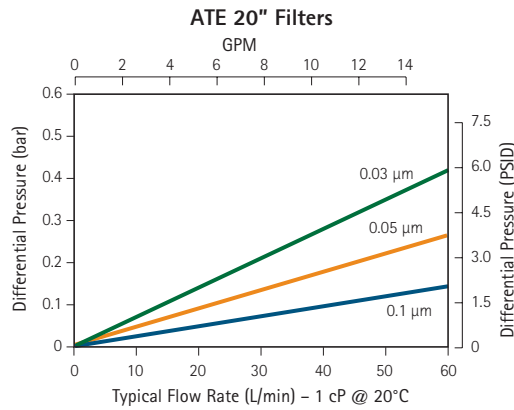
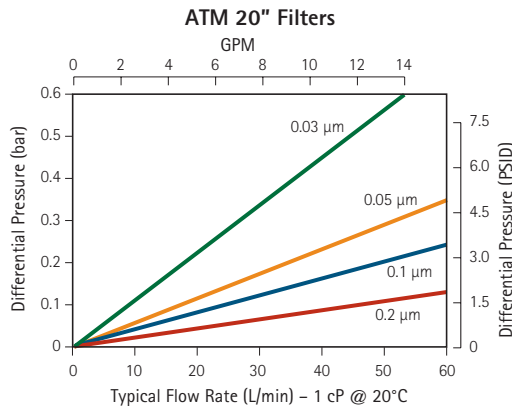
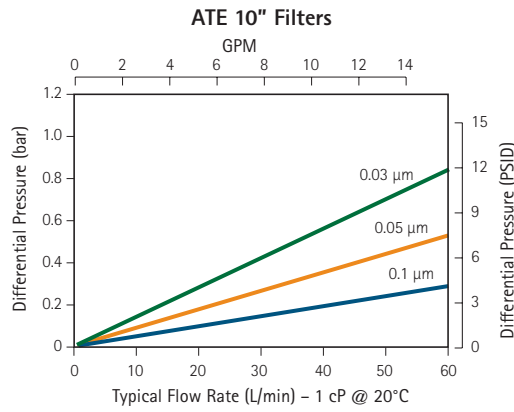
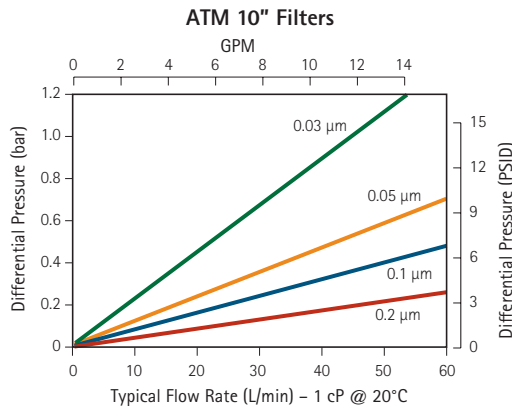
#### Part Number



\*Optional Chemlock key attached to cartridge for use with Chemlock housing ONLY

**QuickChange ATM Performance Data**

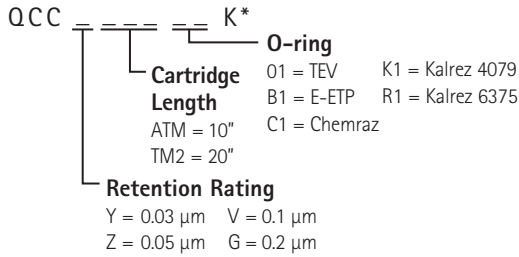
**QuickChange ATE Performance Data**



**Ordering Information**

**QuickChange ATM Cartridge Filters**  
STANDARD CLEAN

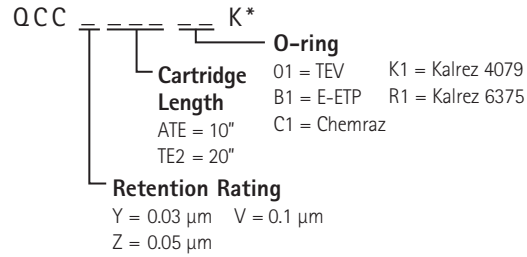
**Part Number**



**Ordering Information**

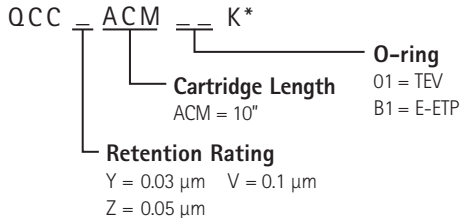
**QuickChange ATE Cartridge Filters**  
STANDARD CLEAN

**Part Number**



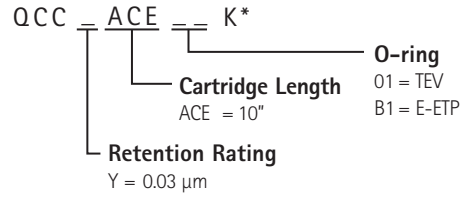
**QuickChange ATM Cartridge Filters**  
UCM CLEAN

**Part Number**



**QuickChange ATE Cartridge Filters**  
UCM CLEAN

**Part Number**

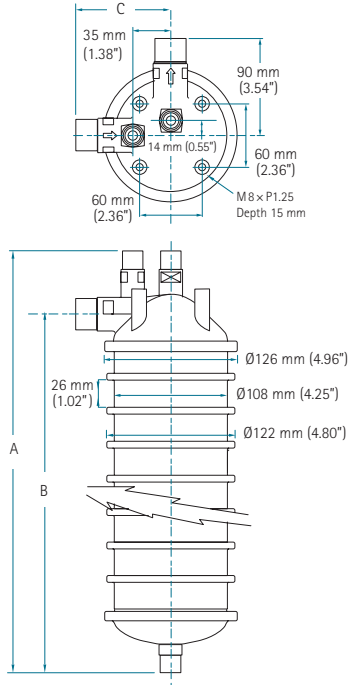


\*Optional Chemlock key attached to cartridge for use with Chemlock housing ONLY

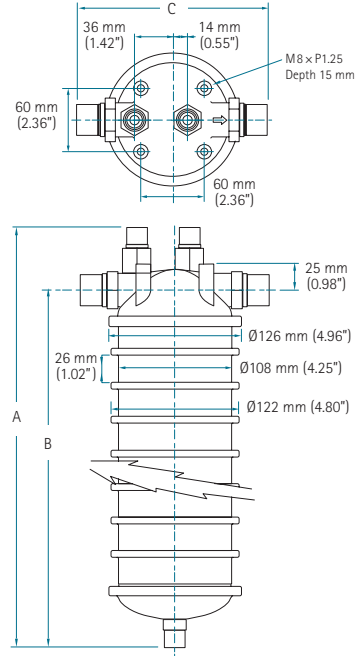
# QuickChange AT, ATX, ATM, ATE Chem-Line I Disposable Filters

## Standard Vent

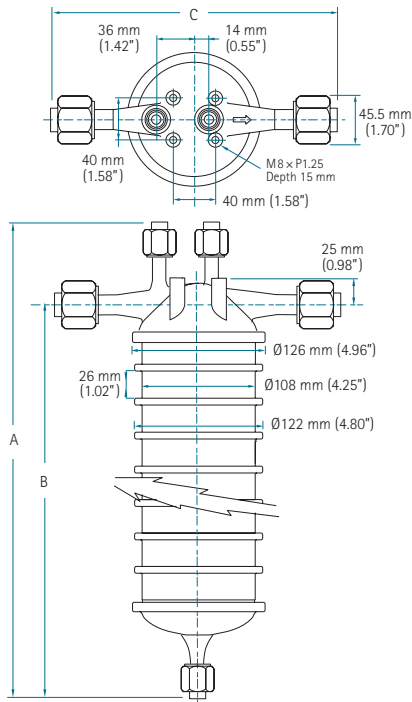
**LH: L-line**  
3/4" Super Type Pillar® Fittings



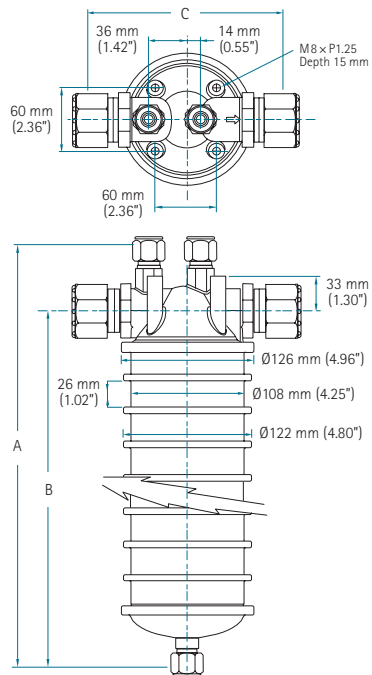
**TH: T-line**  
3/4" Super Type Pillar Fittings



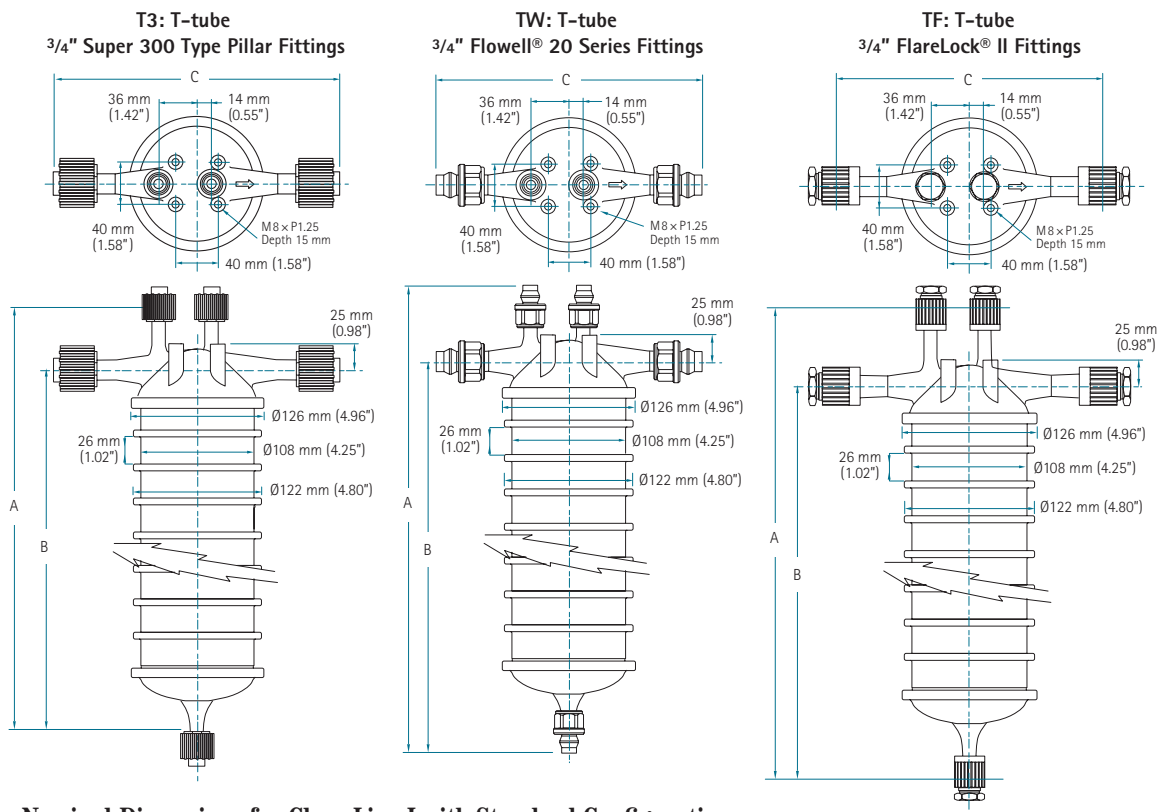
**TP: T-tube**  
3/4" Super Type Pillar Fittings



**4H: T-line**  
1" Super Type Pillar Fittings







Nominal Dimensions for Chem-Line I with Standard Configuration

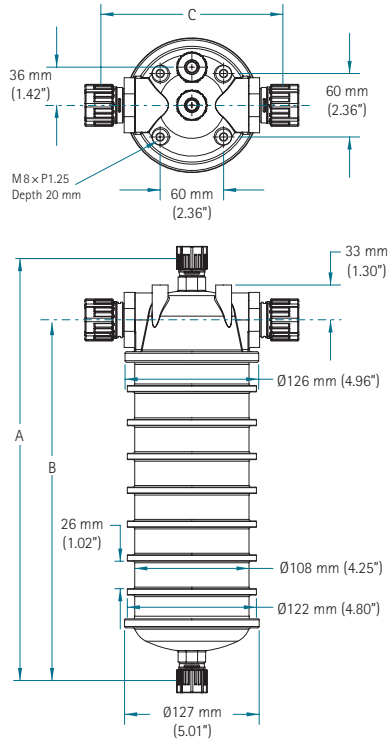
Disposable Type		A (Overall Height)	B (Height: Bottom Fitting to Centerline Inlet Fitting)		C (Inlet to Outlet*)
LH: L-line: 3/4" inlet/outlet, 1/2" vent/drain, Super Type Pillar fittings	AT 10"	412 mm (16.22")	351 mm (13.82")	90 mm (3.54)*	
	ATX 4"	281 mm (11.06")	220 mm (8.66")	90 mm (3.54)*	
	ATX/ATM/ATE 10"	412 mm (16.22")	351 mm (13.82")	90 mm (3.54")	
TH: T-line: 3/4" inlet/outlet, 1/2" vent/drain, Super Type Pillar fittings	AT 10"	412 mm (16.22")	451 mm (13.82")	180 mm (7.08")	
	ATX 4"	281 mm (11.06")	220 mm (8.66")	180 mm (7.08")	
	ATX/ATM/ATE 10"	396 mm (15.6")	335 mm (13.2")	180 mm (7.08")	
TP: T-tube: 3/4" inlet/outlet, 1/2" vent/drain, Super Type Pillar fittings	AT 10"	462 mm (18.62")	383 mm (15.08")	268 mm (10.55")	
	ATX 10"	445 mm (17.52")	367 mm (14.45")	268 mm (10.55")	
4H: T-line: 1" inlet/outlet, 1/2" vent/drain, Super Type Pillar fittings	ATM/ATE 10"	401 mm (15.8")	341 mm (13.4")	188 mm (7.4")	
	ATX/ATM/ATE 10"	446 mm (17.56")	367.5 mm (14.47")	267 mm (10.51")	
T3: T-tube: 3/4" inlet/outlet, 1/2" vent/drain, Super 300 Type Pillar fittings	AT 10"	449 mm (17.68")	376 mm (14.8")	250 mm (9.84")	
	ATX 4"	317 mm (12.48")	244 mm (9.61")	250 mm (9.84")	
	ATX/ATM/ATE 10"	432 mm (17.01")	360 mm (14.17")	250 mm (9.84")	
TF: T-tube: 3/4" inlet/outlet, 1/2" vent/drain, FlareLock II fittings	ATX 4"	313 mm (12.32")	240 mm (9.45")	250 mm (9.84")	
	ATX/ATM/ATE 10"	432 mm (17.01")	360 mm (14.17")	250 mm (9.84")	

\* L-line inlet to outlet length is inlet to centerline of outlet fitting.

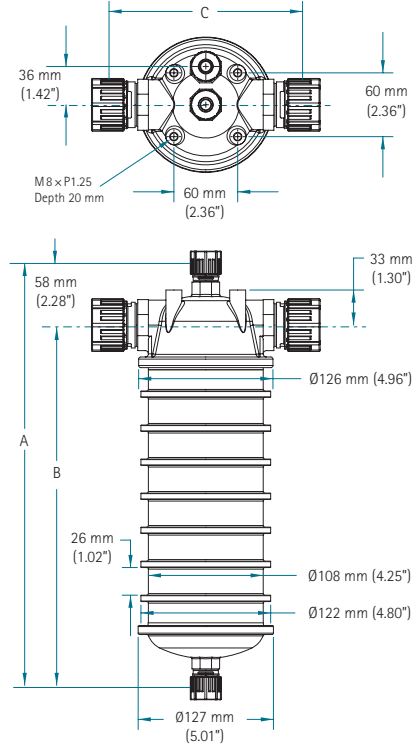
## QuickChange AT, ATX, ATM, ATE Chem-Line I Disposable Filters

### With Modified Vent

**3S: T-line**  
3/8" Super 300 Type Pillar Fittings



**4S: T-line**  
1" Super 300 Type Pillar Fittings



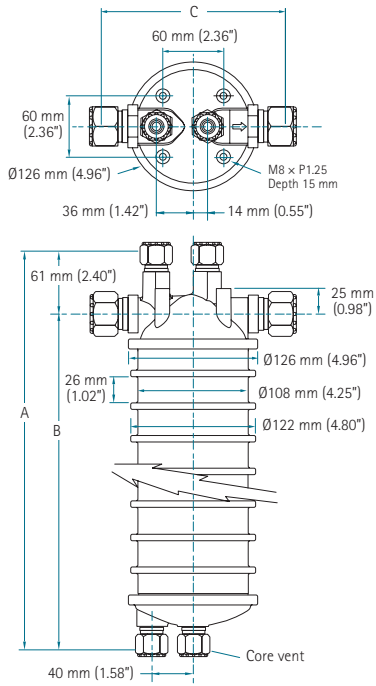
### Nominal Dimensions for Chem-Line I with Modified Vent Configuration

Disposable Type		A (Overall Height)	B (Height: Bottom Fitting to Centerline Inlet Fitting)		C (Inlet to Outlet)
3S: T-line: 3/4" inlet/outlet, 1/2" vent/drain, Super 300 Type Pillar fittings	ATM/ATE 10"	398 mm (15.67")	340 mm (13.39")	172 mm (6.77")	
4S: T-line: 1" inlet/outlet, 1/2" vent/drain, Super 300 Type Pillar fittings	ATM/ATE 10"	398 mm (15.67")	340 mm (13.39")	182 mm (7.17")	

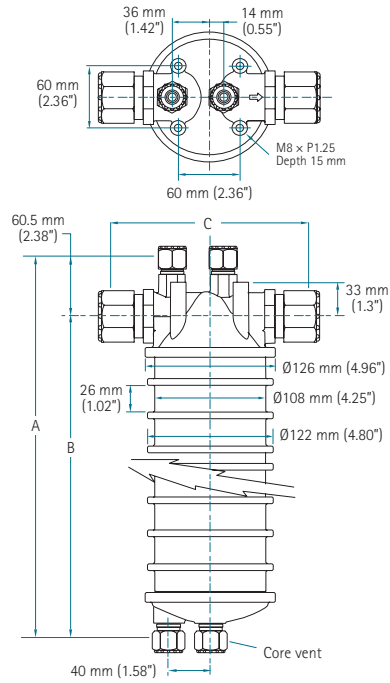
# QuickChange AT, ATX, ATM, ATE Chem-Line I Disposable Filters

## With Core Vent

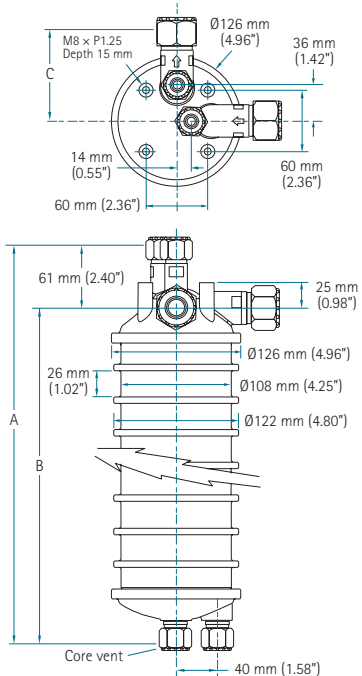
**TH: T-line 3/4" Super Type Pillar Fittings with Core Vent**



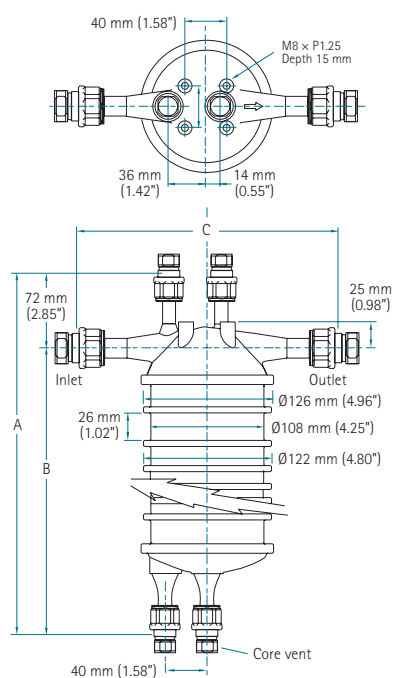
**4H: T-line 1" Super Type Pillar Fittings with Core Vent**



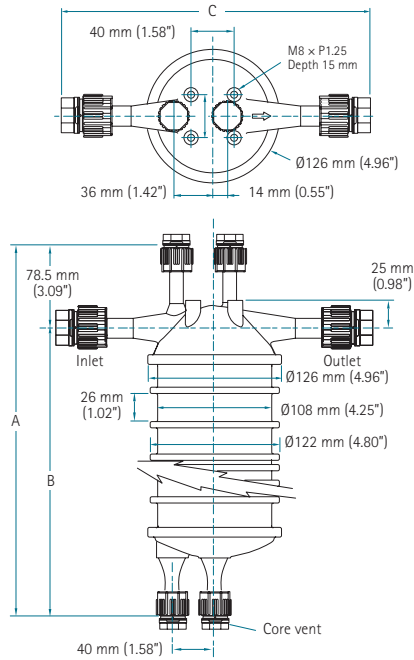
**LH: L-line 3/4" Super Type Pillar Fittings with Core Vent**



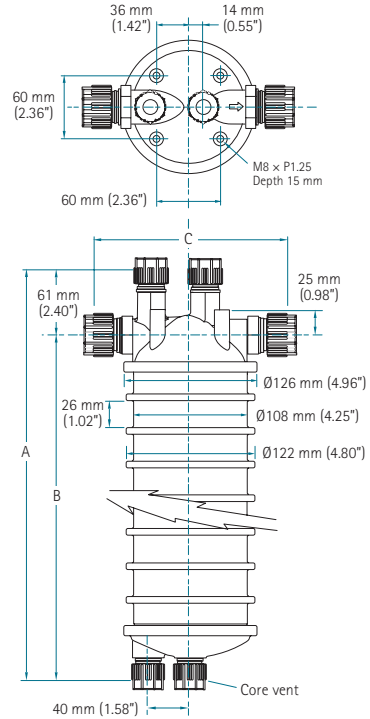
**TW: T-tube 3/4" Flowell 20 Series Fittings with Core Vent**



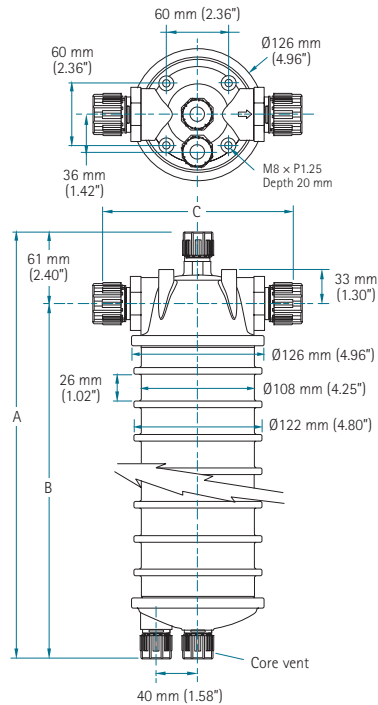
**T3: T-tube 3/4" Super 300 Type Pillar Fittings with Core Vent**



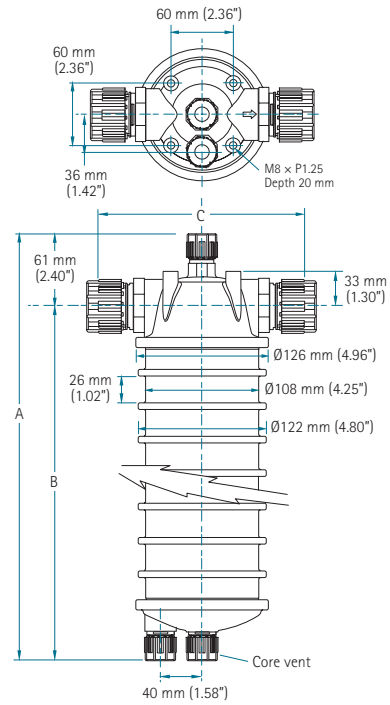
**TS: T-line 3/4" Super 300 Type Pillar Fittings with Core Vent**



**3S: T-line 3/4" Super 300 Type Pillar Fittings with Core Vent**



**4S: T-line 1" Super 300 Type Pillar Fittings with Core Vent**

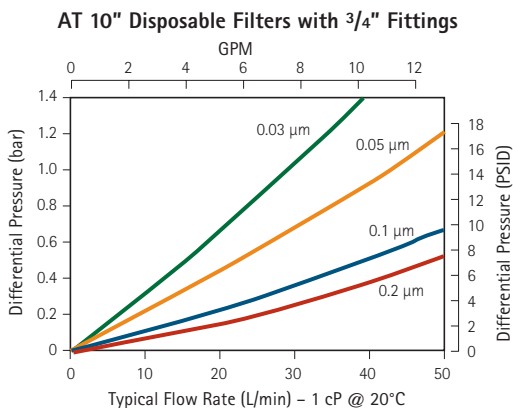


Nominal Dimensions for Chem-Line I with Core Vent Configuration

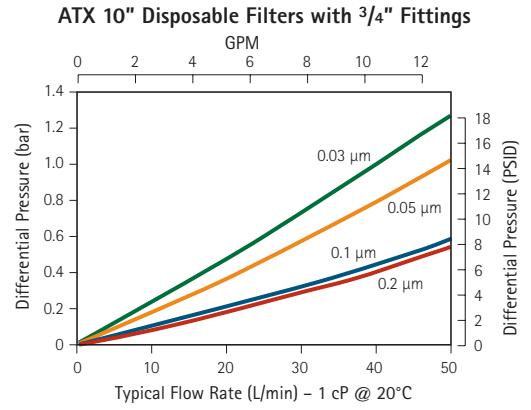
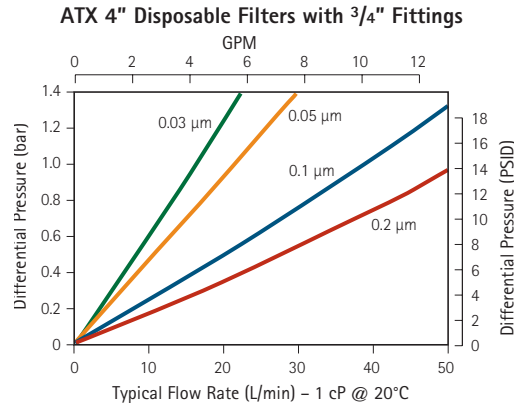
Disposable Type		A (Overall Height)	B	C
			(Height: Bottom Fitting to Centerline Inlet Fitting)	(Inlet to Outlet*)
TH: T-line: 3/4" inlet/outlet, 1/2" vent/drain, Super Type Pillar fittings	ATM/ATE 10"	388 mm (15.3")	327 mm (12.9")	180 mm (7.08")
4H: T-line: 1" inlet/outlet, 1/2" vent/drain, Super Type Pillar fittings	ATM/ATE 10"	392.5 mm (15.45")	332 mm (13.07")	188 mm (7.4")
LH: L-line: 3/4" inlet/outlet, 1/2" vent/drain, Super Type Pillar fittings	ATM/ATE 10"	385 mm (15.2")	324 mm (12.8")	90 mm (3.54")
TW: T-tube: 3/4" inlet/outlet, 1/2" vent/drain, Flowell 20 Series fittings	ATM/ATE 10"	432 mm (17.01")	360 mm (14.17")	250 mm (9.84")
T3: T-tube: 3/4" inlet/outlet, 1/2" vent/drain, Super 300 Type Pillar fittings	ATM/ATE 10"	446 mm (17.56")	366 mm (14.41")	267 mm (10.51")
TS: T-line: 3/4" inlet/outlet, 1/2" vent/drain, Super 300 Type Pillar fittings	ATM/ATE 10"	386 mm (15.20")	327 mm (12.87")	172 mm (6.77")
3S: T-line: 3/4" inlet/outlet, 1/2" vent/drain, Super 300 Type Pillar fittings	ATM/ATE 10"	388 mm (15.3")	330 mm (13.00")	172 mm (6.77")
4S: T-line: 1" inlet/outlet, 1/2" vent/drain, Super 300 Type Pillar fittings	ATM/ATE 10"	388 mm (15.3")	330 mm (13.00")	182 mm (7.17")

\* L-line inlet to outlet length is inlet to centerline of outlet fitting.

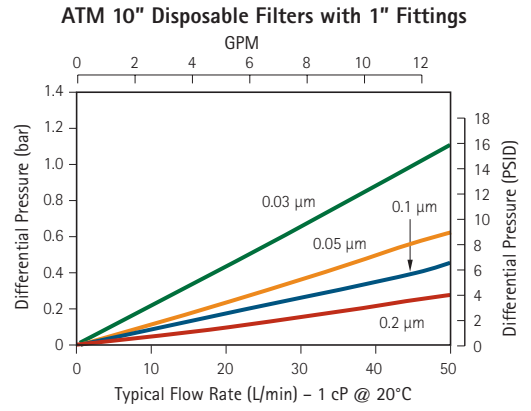
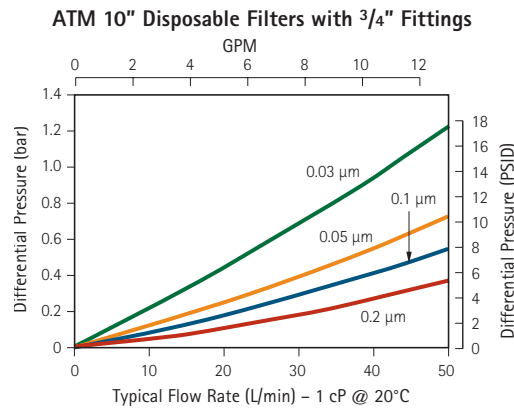
QuickChange AT Performance Data



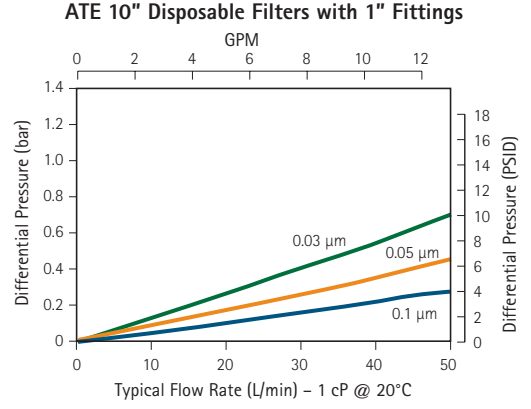
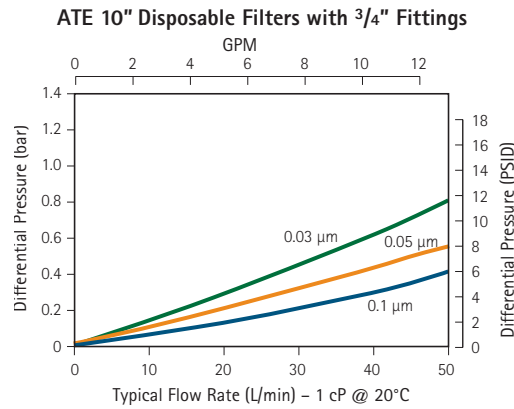
**QuickChange ATX Performance Data**



**QuickChange ATM Performance Data**



**QuickChange ATE Performance Data**

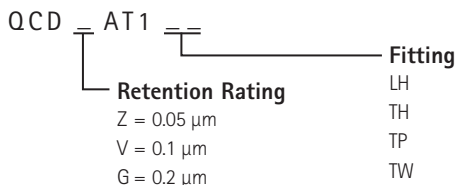


**Ordering Information**

**QuickChange AT Chem-Line I Disposable Filter**

STANDARD CLEAN

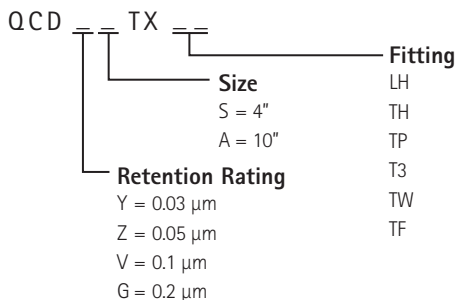
**Part Number**



**QuickChange ATX Chem-Line I Disposable Filter**

STANDARD CLEAN

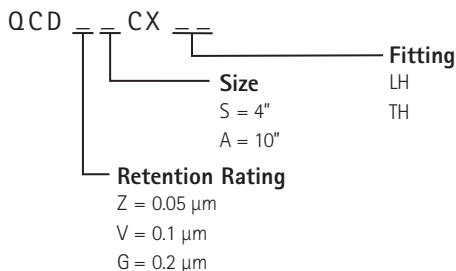
**Part Number**



*\*4" available in LH, TH, TW, TF only*

UCM CLEAN

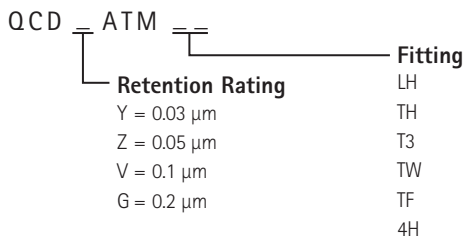
**Part Number**



**QuickChange ATM Chem-Line I Disposable Filter**

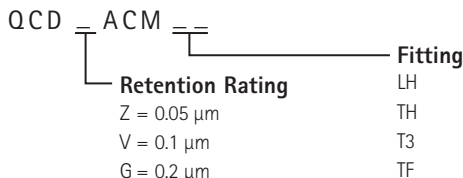
STANDARD CLEAN

**Part Number**



UCM CLEAN

**Part Number**



**Fitting Key**

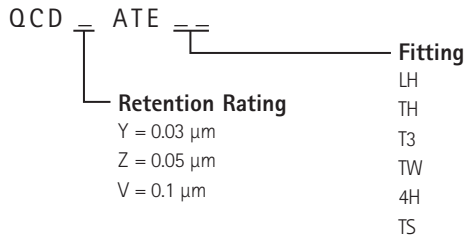
Key	Inlet/Outlet	Vent/Drain	Type	Fitting
3S	3/4"	1/2"	T-line	Super 300 Type Pillar
TS	3/4"	1/2"	T-line	Super 300 Type Pillar
T3	3/4"	1/2"	T-tube	Super 300 Type Pillar
4S	1"	1/2"	T-line	Super 300 Type Pillar
LH	3/4"	1/2"	L-line	Super Type Pillar
TH	3/4"	1/2"	T-line	Super Type Pillar
TP	3/4"	1/2"	T-tube	Super Type Pillar
4H	1"	1/2"	T-line	Super Type Pillar
TF	3/4"	1/2"	T-tube	FlareLock II
TW	3/4"	1/2"	T-tube	Flowell 20 Series

Ordering Information (continued)

QuickChange ATE Chem-Line I Disposable Filter

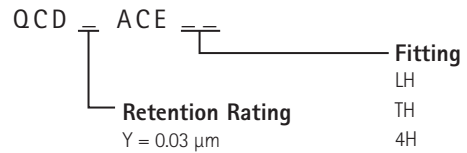
STANDARD CLEAN

Part Number



UCM CLEAN

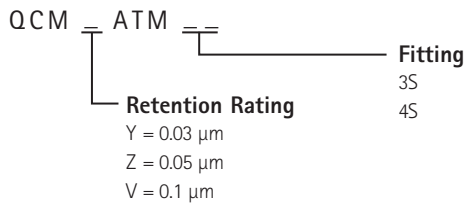
Part Number



QuickChange ATM Chem-Line I Modified Vent Disposable Filter

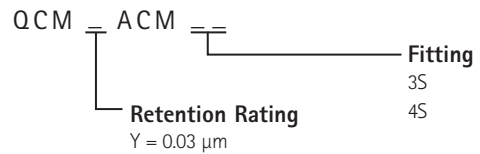
STANDARD CLEAN

Part Number



UCM CLEAN

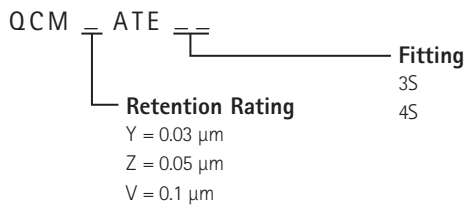
Part Number



QuickChange ATE Chem-Line I Modified Vent Disposable Filter

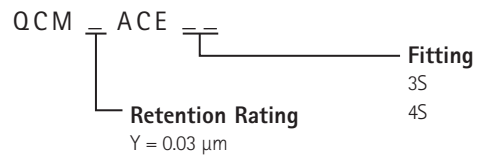
STANDARD CLEAN

Part Number



UCM CLEAN

Part Number



Fitting Key

Key	Inlet/Outlet	Vent/Drain	Type	Fitting
3S	3/4"	1/2"	T-line	Super 300 Type Pillar
TS	3/4"	1/2"	T-line	Super 300 Type Pillar
T3	3/4"	1/2"	T-tube	Super 300 Type Pillar
4S	1"	1/2"	T-line	Super 300 Type Pillar
LH	3/4"	1/2"	L-line	Super Type Pillar
TH	3/4"	1/2"	T-line	Super Type Pillar
TP	3/4"	1/2"	T-tube	Super Type Pillar
4H	1"	1/2"	T-line	Super Type Pillar
TF	3/4"	1/2"	T-tube	FlareLock II
TW	3/4"	1/2"	T-tube	Flowell 20 Series

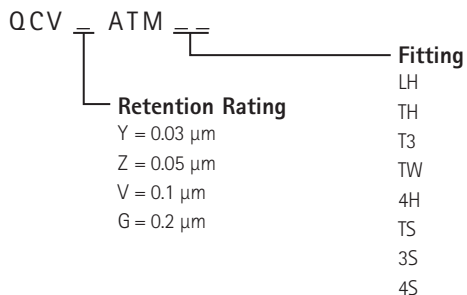


Ordering Information (continued)

QuickChange ATM Chem-Line I Disposable Filter with Core Vent

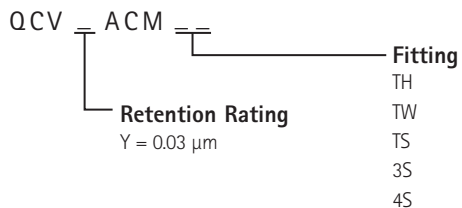
STANDARD CLEAN

Part Number



UCM CLEAN

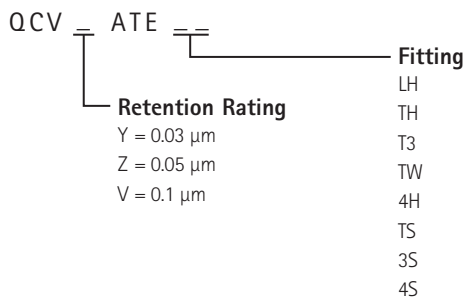
Part Number



QuickChange ATE Chem-Line I Disposable Filter with Core Vent

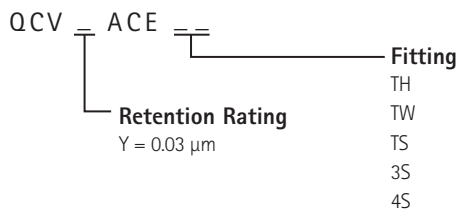
STANDARD CLEAN

Part Number



UCM CLEAN

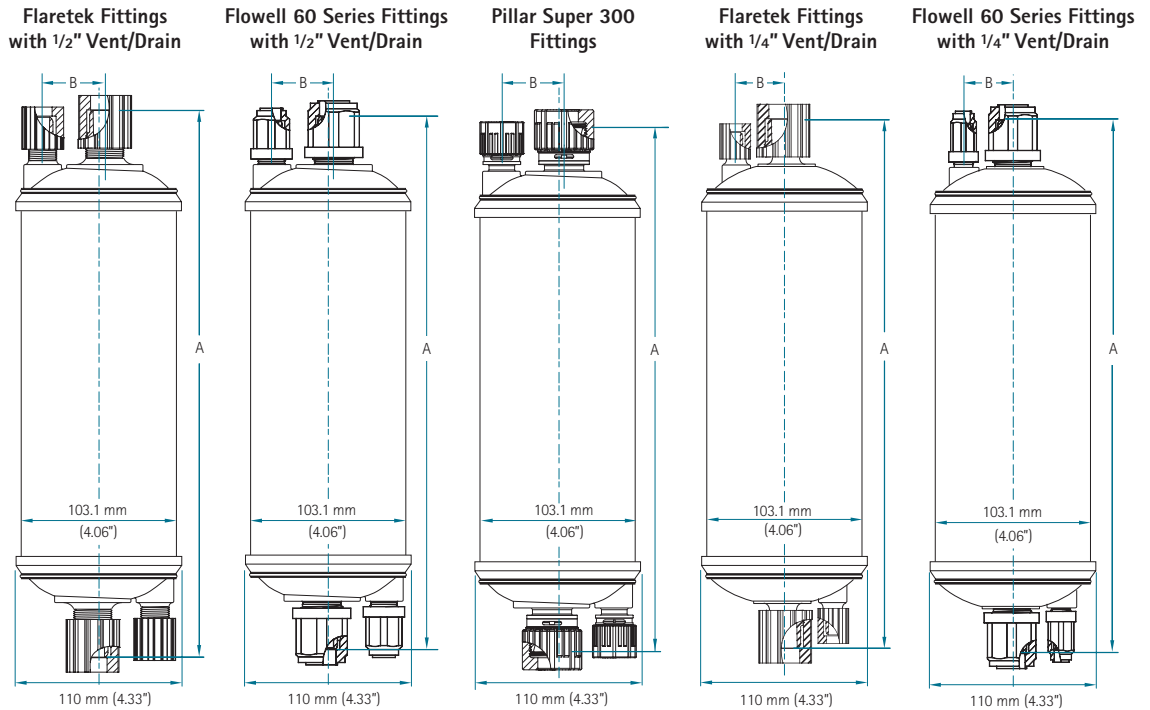
Part Number



Fitting Key

Key	Inlet/Outlet	Vent/Drain	Type	Fitting
3S	3/4"	1/2"	T-line	Super 300 Type Pillar
TS	3/4"	1/2"	T-line	Super 300 Type Pillar
T3	3/4"	1/2"	T-tube	Super 300 Type Pillar
4S	1"	1/2"	T-line	Super 300 Type Pillar
LH	3/4"	1/2"	L-line	Super Type Pillar
TH	3/4"	1/2"	T-line	Super Type Pillar
TP	3/4"	1/2"	T-tube	Super Type Pillar
4H	1"	1/2"	T-line	Super Type Pillar
TF	3/4"	1/2"	T-tube	FlareLock II
TW	3/4"	1/2"	T-tube	Flowell 20 Series

## QuickChange ATX/ATM/ATE Chem-Line II Disposable Filters



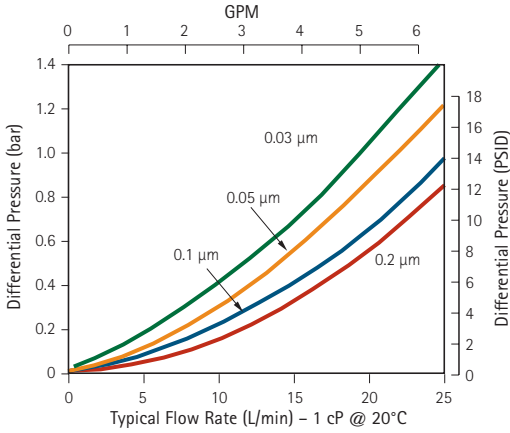
### Nominal Dimensions for Chem-Line II Configurations

Fittings		Flaretek Fittings			Flowell 60 Series Fittings		Super 300 Type Pillar Fittings		
Inlet/Outlet	Vent/Drain	B	A	A	A	A	B	A	A
		—	4" Filter	10" Filter	4" Filter	10" Filter	—	4" Filter	10" Filter
3/8"	1/4"	37 mm (1.46")	232.2 mm (9.14")	345.2 mm (13.59")	244.6 mm (9.63")	357.6 mm (14.08")	—	—	—
1/2"	1/4"	37 mm (1.46")	241.3 mm (9.50")	354.3 mm (13.95")	—	—	—	—	—
3/4"	1/4"	37 mm (1.46")	243.3 mm (9.58")	356.4 mm (14.03")	—	—	—	—	—
3/4"	1/2"	41.3 mm (1.62")	250.2 mm (9.85")	363.2 mm (14.30")	241.4 mm (9.50")	354.4 mm (13.96")	41.4 mm (1.63")	235.0 mm (9.25")	348.0 mm (13.70")
1"	1/4"	37 mm (1.46")	253.5 mm (9.98")	366.5 mm (14.43")	254.0 mm (10.00")	367.0 mm (14.45")	—	—	—
1"	1/2"	41.3 mm (1.62")	262.9 mm (10.35")	375.8 mm (14.80")	253.5 mm (9.98")	366.1 mm (14.41")	41.4 mm (1.63")	268.0 mm (10.55")	381.0 mm (15.00")

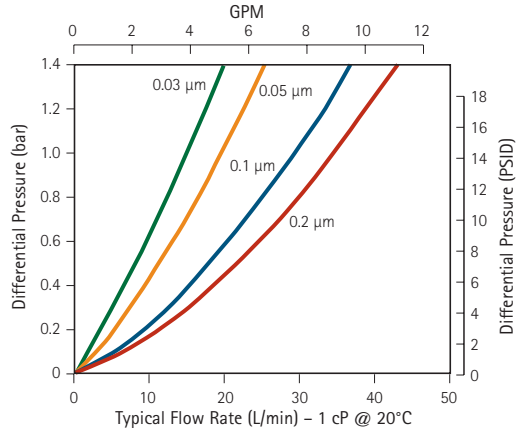
# QuickChange ATX 4" Chem-Line II Disposable Filters

## Performance Data

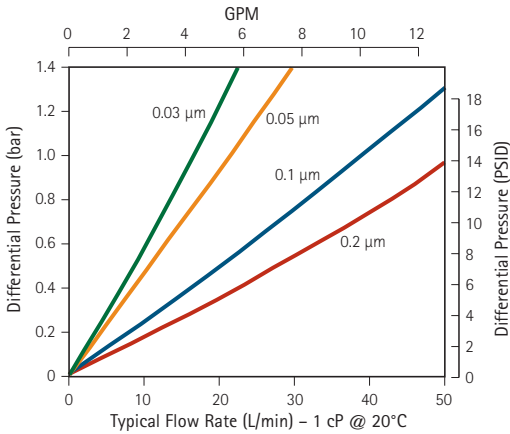
ATX 4" Disposable Filters with 3/8" Fittings



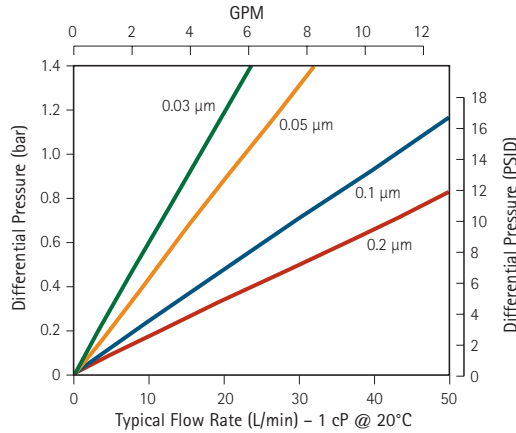
ATX 4" Disposable Filters with 1/2" Fittings



ATX 4" Disposable Filters with 3/4" Fittings

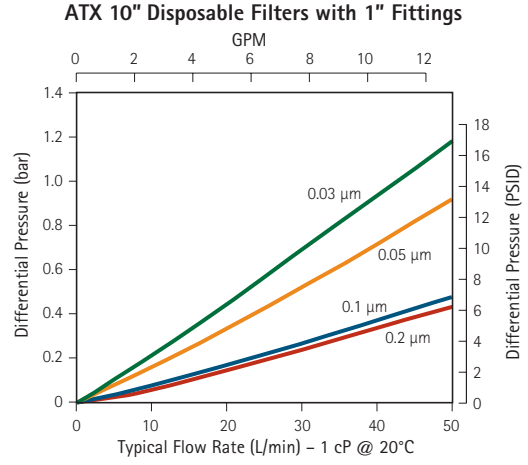
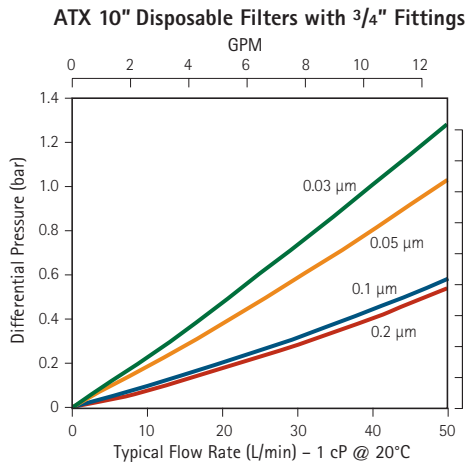
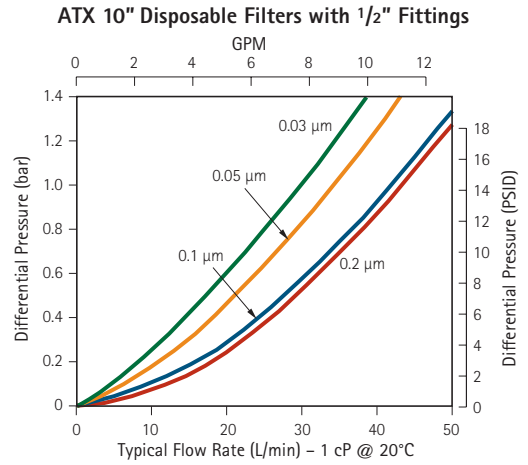
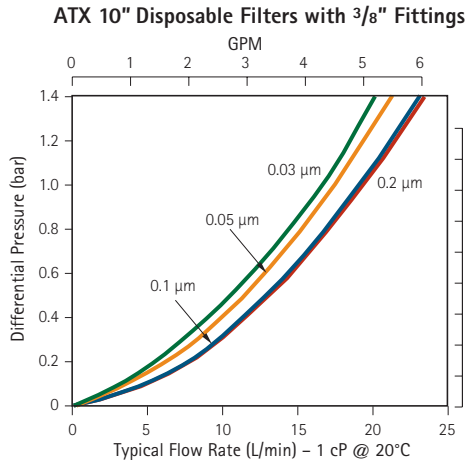


ATX 4" Disposable Filters with 1" Fittings



## QuickChange ATX 10" Chem-Line II Disposable Filters

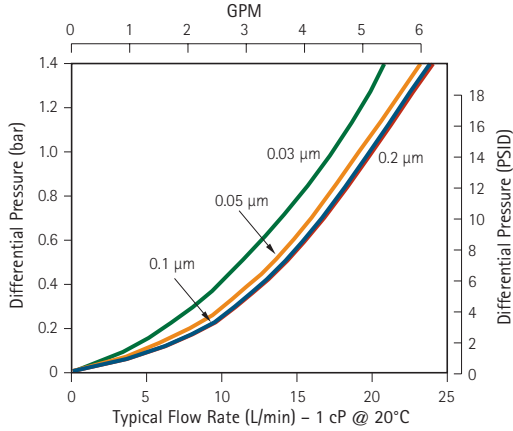
### Performance Data



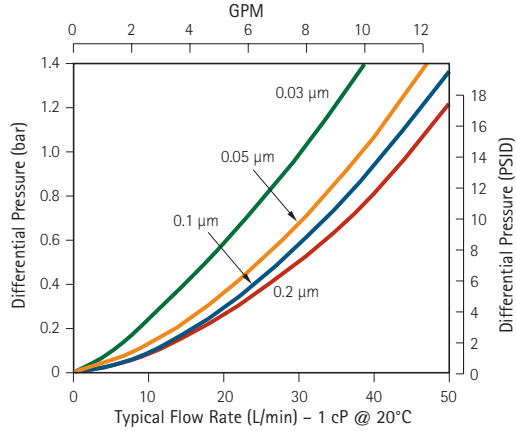
# QuickChange ATM 10" Chem-Line II Disposable Filters

## Performance Data

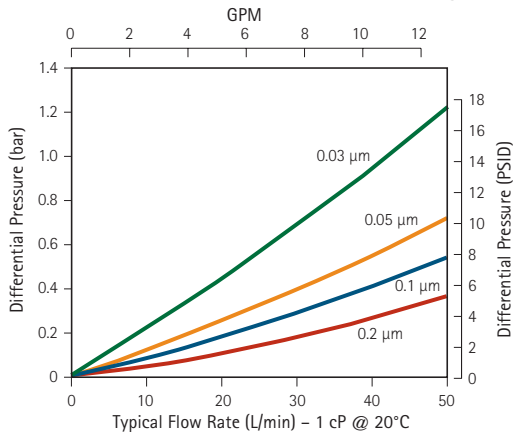
ATM 10" Disposable Filters with 3/8" Fittings



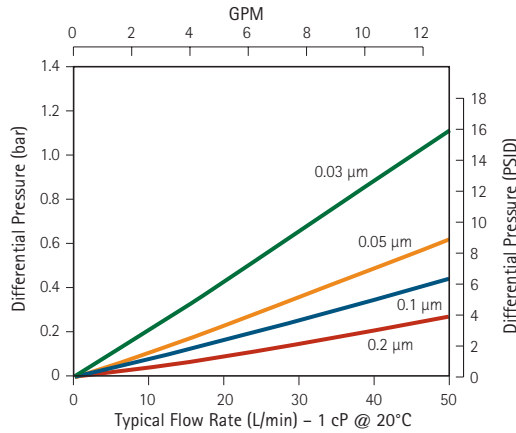
ATM 10" Disposable Filters with 1/2" Fittings



ATM 10" Disposable Filters with 3/4" Fittings



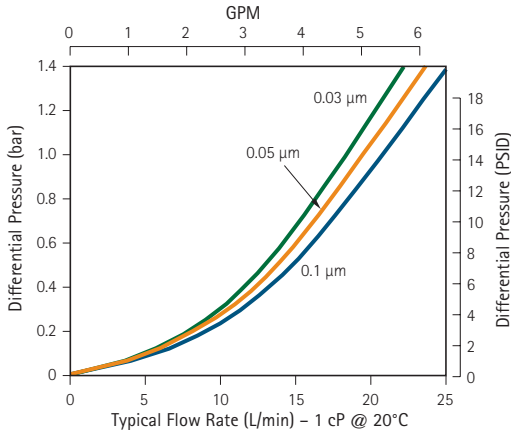
ATM 10" Disposable Filters with 1" Fittings



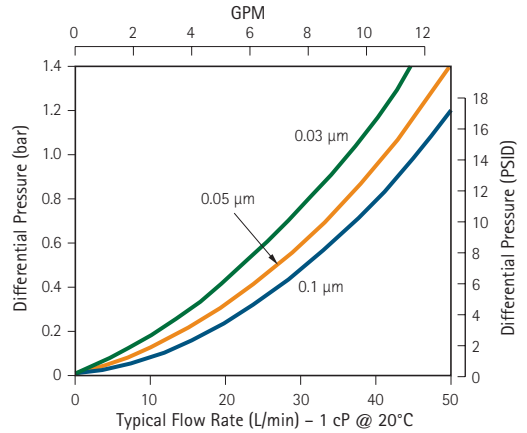
## QuickChange ATE 10" Chem-Line II Disposable Filters

### Performance Data

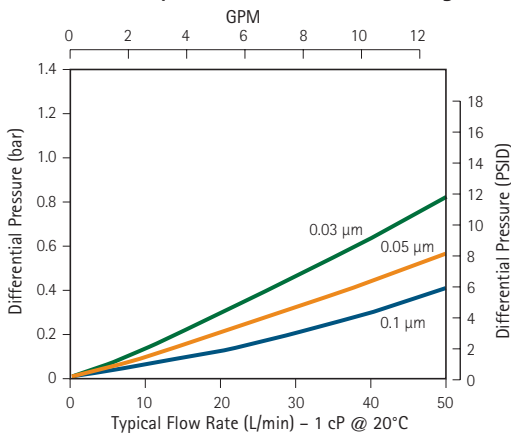
ATE 10" Disposable Filters with 3/8" Fittings



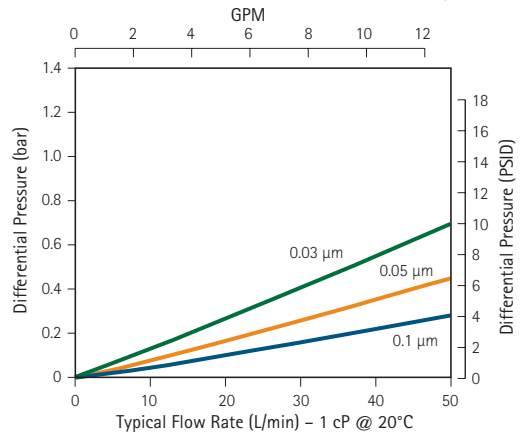
ATE 10" Disposable Filters with 1/2" Fittings



ATE 10" Disposable Filters with 3/4" Fittings



ATE 10" Disposable Filters with 1" Fittings

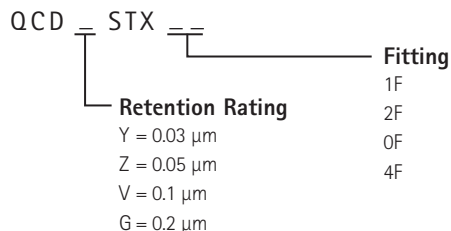


**Ordering Information**

**QuickChange ATX 4" Chem-Line II Disposable Filter**

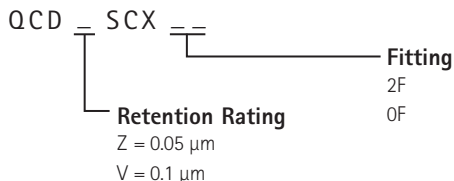
STANDARD CLEAN

Part Number



UCM CLEAN

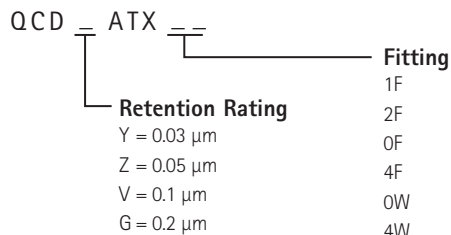
Part Number



**QuickChange ATX 10" Chem-Line II Disposable Filter**

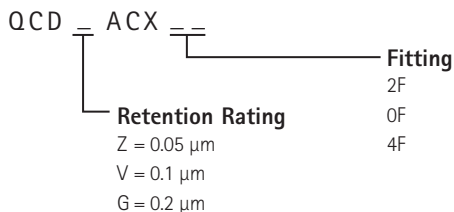
STANDARD CLEAN

Part Number



UCM CLEAN

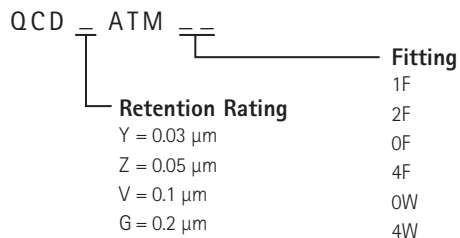
Part Number



**QuickChange ATM 10" Chem-Line II Disposable Filter**

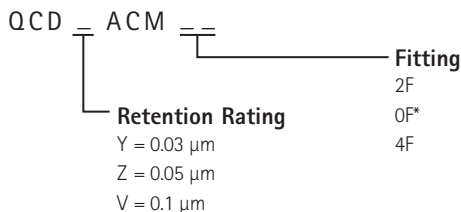
STANDARD CLEAN

Part Number



UCM CLEAN

Part Number



*\*Available for 0.03 and 0.05 μm only.*

**Fitting Key**

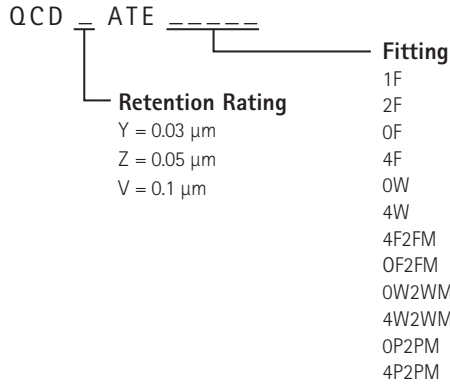
Key	Inlet/Outlet	Vent/Drain	Fitting
1F	3/8"	1/4"	Flaretek
2F	1/2"	1/4"	Flaretek
0F	3/4"	1/4"	Flaretek
4F	1"	1/4"	Flaretek
0W	3/4"	1/4"	Flowell 60 Series
4W	1"	1/4"	Flowell 60 Series

Ordering Information (continued)

QuickChange ATE 10" Chem-Line II Disposable Filter

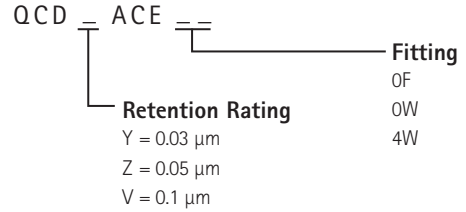
STANDARD CLEAN

Part Number



UCM CLEAN

Part Number



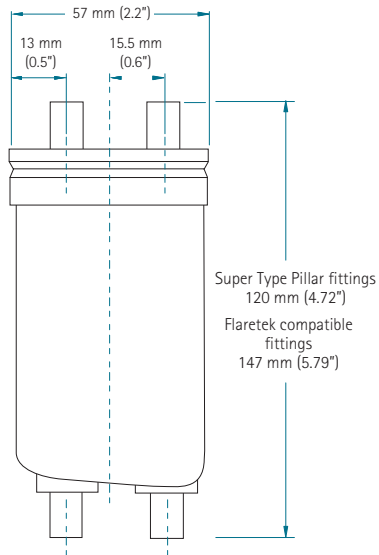
Fitting Key

Key	Inlet/Outlet	Vent/Drain	Fitting
1F	3/8"	1/4"	Flaretek
2F	1/2"	1/4"	Flaretek
0F	3/4"	1/4"	Flaretek
4F	1"	1/4"	Flaretek
0W	3/4"	1/4"	Flowell 60 Series
4W	1"	1/4"	Flowell 60 Series
0F2FM	3/4"	1/2"	Flaretek
4F2FM	1"	1/2"	Flaretek
0W2WM	3/4"	1/2"	Flowell 60 Series
4W2WM	1"	1/2"	Flowell 60 Series
0P2PM	3/4"	1/2"	Super 300 Type Pillar
4P2PM	1"	1/2"	Super 300 Type Pillar

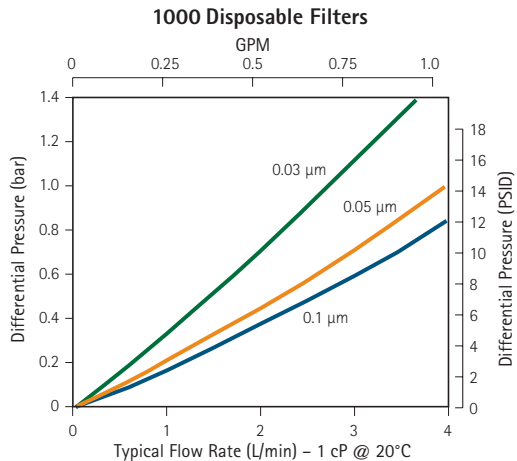


# QuickChange 1000 Disposable Filters

## Nominal Dimensions



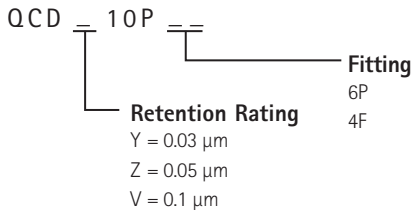
## Performance Data



## Ordering Information

STANDARD CLEAN

### Part Number

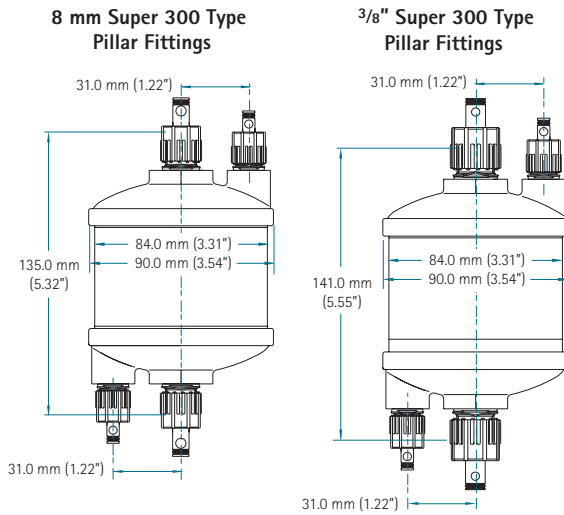
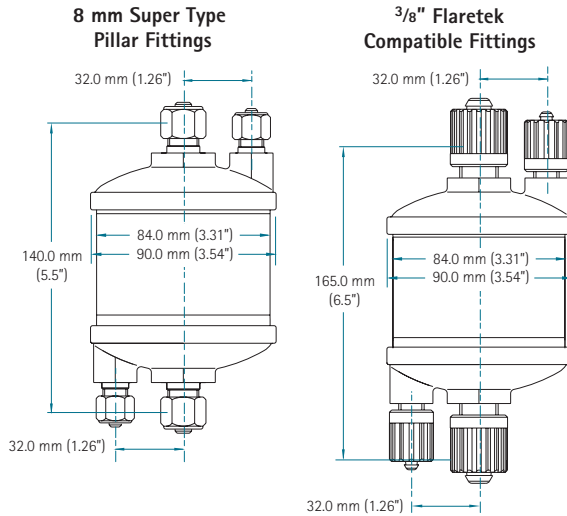


### Fitting Key

Key	Inlet/Outlet	Vent/Drain	Fitting
6P	6 mm	6 mm	Super Type Pillar
4F	1/4"	1/4"	Flaretek

# QuickChange Plus 1500 Disposable Filters

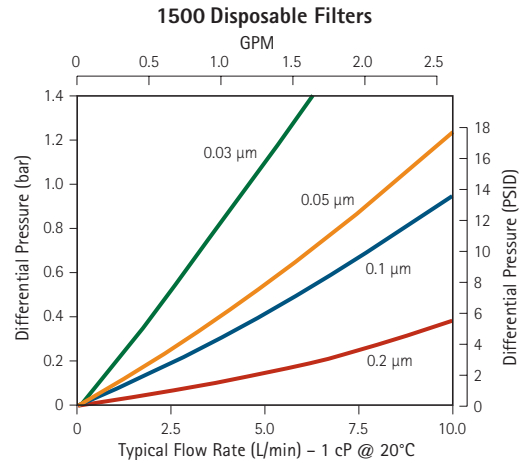
## Nominal Dimensions



### Fitting Key

Key	Inlet/Outlet	Vent/Drain	Fitting
8P	8 mm	6 mm	Super Type Pillar
3F	3/8"	1/4"	Flaretek
8S	8 mm	6 mm	Super 300 Type Pillar
3S	3/8"	1/4"	Super 300 Type Pillar

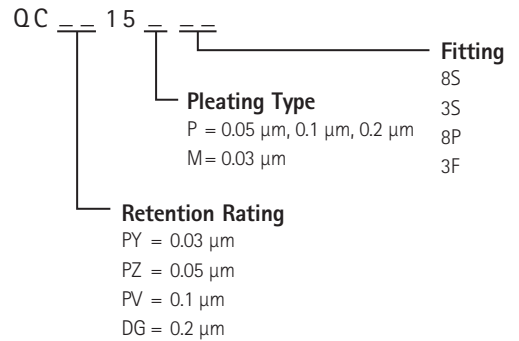
## Performance Data



## Ordering Information

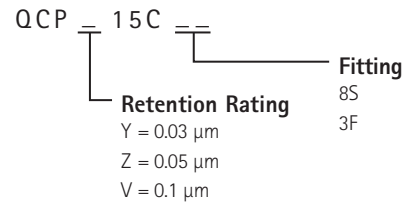
### STANDARD CLEAN

#### Part Number



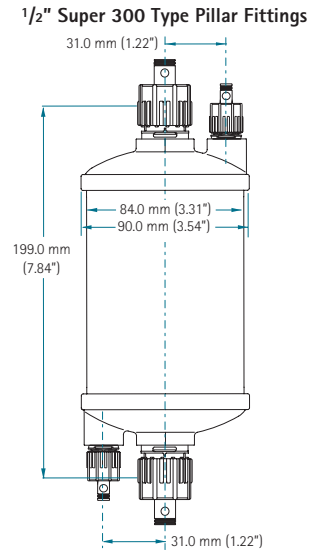
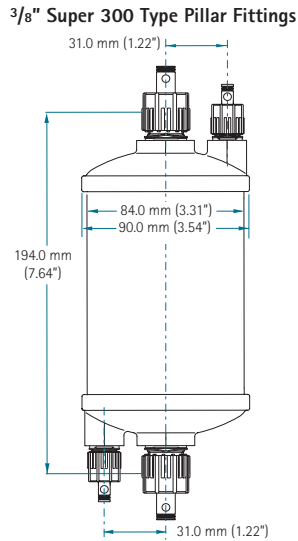
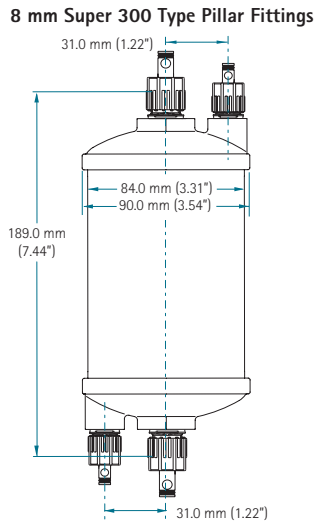
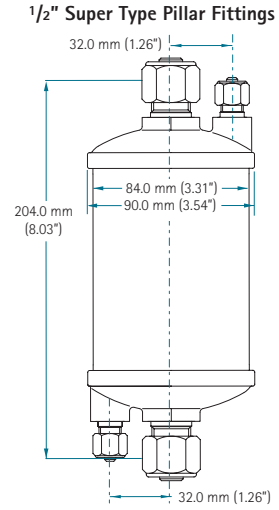
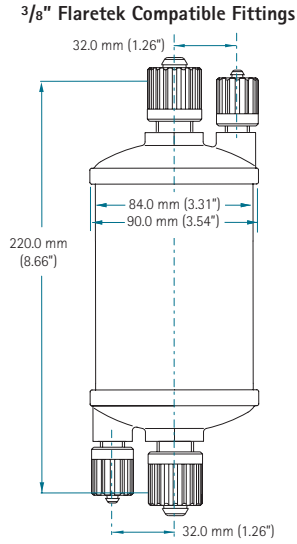
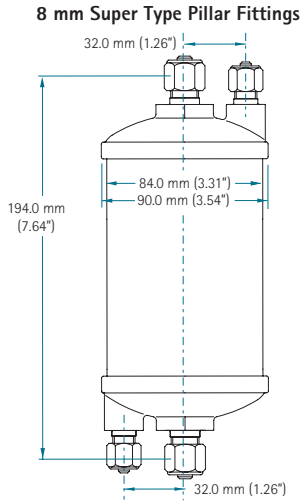
### UCM CLEAN

#### Part Number

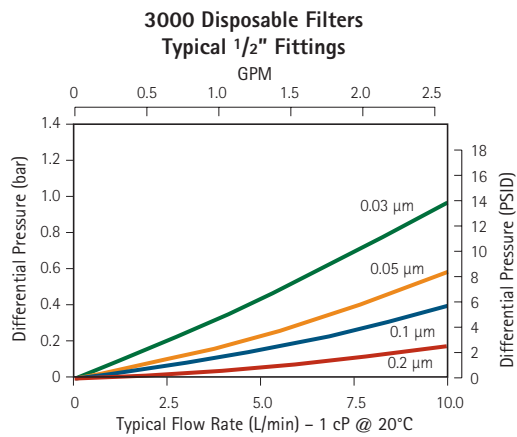
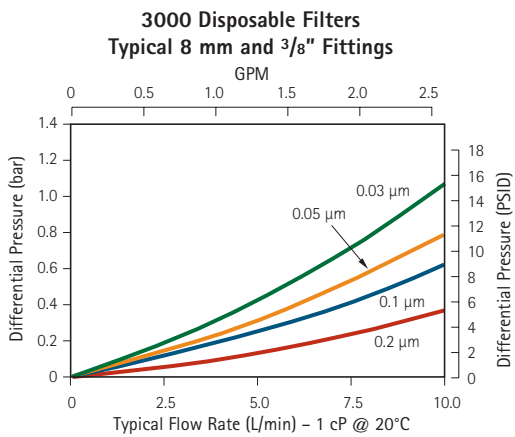


# QuickChange Plus 3000 Disposable Filters

## Nominal Dimensions



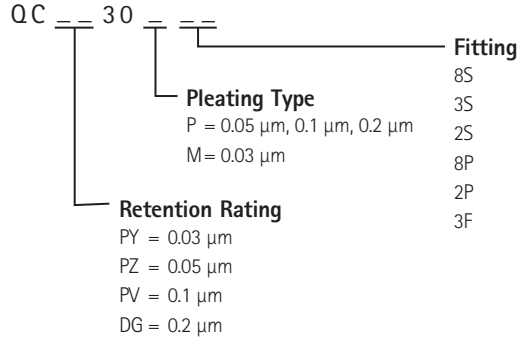
## Performance Data



## Ordering Information

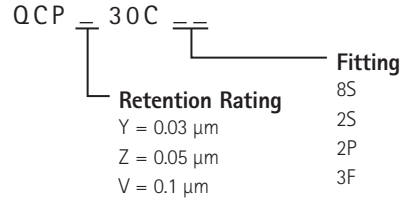
### STANDARD CLEAN

#### Part Number



### UCM CLEAN

#### Part Number



### Fitting Key

Key	Inlet/Outlet	Vent/Drain	Fitting
8P	8 mm	6 mm	Super Type Pillar
3F	3/8"	1/4"	Flaretek
2P	1/2"	1/4"	Super Type Pillar
8S	8 mm	6 mm	Super 300 Type Pillar
3S	3/8"	1/4"	Super 300 Type Pillar
2S	1/2"	1/4"	Super 300 Type Pillar

## For More Information

Please call your Regional Customer Service Center today to learn what Entegris can do for you. Visit [www.entegris.com](http://www.entegris.com) and select the "Customer Service" link for the center nearest you.

## Terms and Conditions of Sale

All purchases are subject to Entegris' "Terms and Conditions of Sale." To view and print this information, visit Entegris' website at [www.entegris.com](http://www.entegris.com) and select the Legal Notices link from the footer found on the home page.

Entegris® Chemlock® Flaretek® FlareLock® QuickChange® and Chem-Line™ are trademarks of Entegris, Inc. Teflon® is a registered trademark of E.I. du Pont de Nemours and Company. Chemraz® is a registered trademark of Greene, Tweed & Co. Viton® Viton® Extreme™ and Kalrez® are trademarks of DuPont Dow Elastomers. Flowell® is a registered trademark of Flowell Corporation. Pillar® is a registered trademark of Nippon Pillar Packaging Company, Ltd.

### ENTEGRIS, INC.

Corporate Headquarters | 129 Concord Road | Billerica, MA 01821 USA  
 Customer Service Tel. +1 952 556 4181 | Customer Service Fax +1 952 556 8022  
 In North America 800 394 4083 | [www.entegris.com](http://www.entegris.com)