

1. Installed inside a tank of fire resistant fluid.
2. All stainless steel construction.
3. Filtration rating of 60, 100, 150 and 200 mesh as standard.
4. Applicable fluids
 - Phosphate ester-based oil
 - Water glycol-based oil
 - Water

Caution When mounting/dismounting the filter to and from a pipe, set a wrench on the hex part of the coupling.

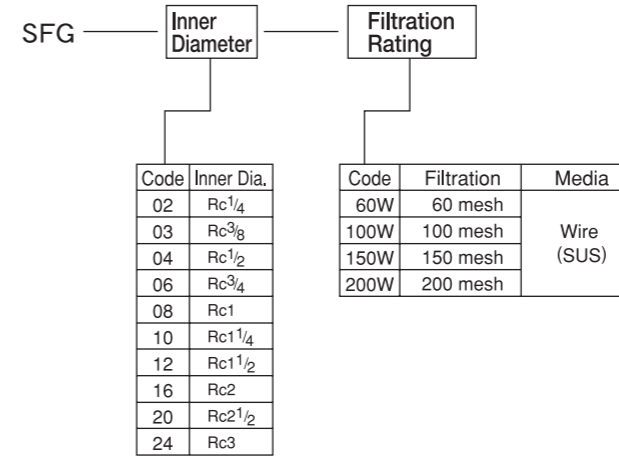
Part List

5	Wire gauge	SUS	1	
4	Inner tube	SUS304	1	
3	End plate (Lower)	SUS304	1	
2	End plate (Upper)	SUS304	1	
1	Coupling	SUS304	1	
Part No.	Part Name	Material	Qty	Remarks

Dimensions and Standard Flow Rates

Symbol Model	Inner Dia. (d)	φD	B	L	l ₁	l ₂	Mass (kg)	Standard Flow Rate (l/min)
SFG-02	Rc1/4	62.2	19	45	36	9	0.075	7
SFG-03	Rc3/8		22	46				
SFG-04	Rc1/2		27	71				
SFG-06	Rc3/4		32	72				
SFG-08	Rc1	82	41	85	71	14	0.19	91
SFG-10	Rc1 1/4	104	50	87	71	16	0.325	145
SFG-12	Rc1 1/2		55	97.5	81.5			
SFG-16	Rc2	124	70	130	110	20	0.59	340
SFG-20	Rc2 1/2		85	150	128	22	0.75	580
SFG-24	Rc3		100	152		24	0.95	830

Model Code



Coding Example
SFG-03-150W

Flow Rate Chart

- Water glycol-based oil
- Viscosity: 32 cSt (approx. 51 °C)

