

1. Installed inside a tank of mineral oil.
2. Stainless steel notch wire type.
3. Filtration rating of 60, 100, 150 and 200 mesh as standard.

Caution When mounting/dismounting the filter to and from a pipe, set a wrench on the hex part of the coupling.

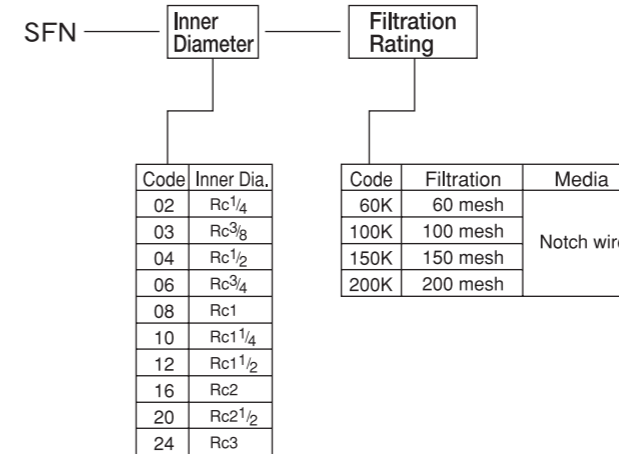
Part List

Part No.	Part Name	Material	Qty	Remarks
5	End plate	SECC	1	
4	End plate	SECC	1	
3	Notch wire	SUS304	1 unit	
2	Fin tube	A6063	1	
1	Coupling	A6063	1	

Dimensions and Standard Flow Rates

Symbol Model	Inner Dia. (d)	D	B	H	H ₁	T	Mass (kg)	Standard Flow Rate (ℓ/min)				
SFN-02	Rc ¹ / ₄	63	26	103	92	11	0.21	6.8				
SFN-03	Rc ³ / ₈		30					164	151	13	0.28	30
SFN-04	Rc ¹ / ₂		36									41
SFN-06	Rc ³ / ₄											60
SFN-08	Rc1	83	46	209	192	17	0.49	60				
SFN-10	Rc ¹ / ₄	104	55	230	212	18	1.02	160				
SFN-12	Rc ¹ / ₂	124	65	250.5	232.5		1.42	200				
SFN-16	Rc2		75	332.5	312.5		20	1.77	270			
SFN-20	Rc ² / ₁ / ₂	147	90	450	423	27	2.77	425				
SFN-24	Rc3		Octagon 110							2.87	530	

Model Code



Coding Example
SFN-08-150K

Flow Rate Chart

- ISO VG32
- Viscosity: 32 cSt (40°C)

