



1. Maximum operating pressure: 35 MPa
Impulse test: 35 MPa x 10⁷ times
2. Spec. for option

Element Type	Element Max. Differential Pressure	Option	
		Indicator pressure (All red)	Relief valve opening pressure
Standard	0.7MPa	0.3MPa	0.35MPa
High differential pressure	21MPa	0.7MPa	—

3. T connection. Element removal is downward.
4. Companion flange is available in additional option.
5. Please contact us for use of fluid other than mineral oil on packing, O-rings and other parts.

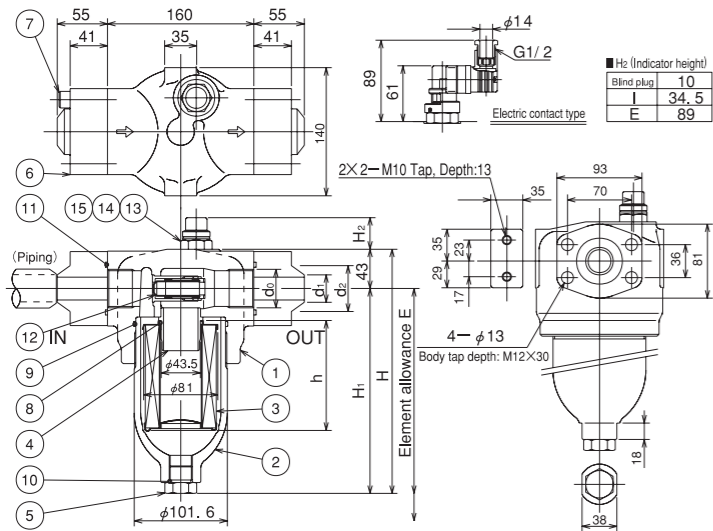
Part List

Part No.	Part Name	Material	Qty	Remarks
15	O-ring	NBR	1	JISB 2401. 1A
14	O-ring	NBR	1	JISB 2401. 1B
13	Indicator		1 set	Option
12	Relief Valve		1 set	
11	O-ring	NBR	2	Option
10	O-ring	NBR	1	JISB 2401. 1B
9	O-ring	NBR	1	JISB 2401
8	O-ring	NBR	1	
7	Cap bolt	SCM435	8	Option
6	Companion flange	S25C	2	C/W spring washer
5	Drain plug	S45C	1	
4	Inlet	SS400	1	
3	Element		1	
2	Lower case	SA372Gr.D	1	
1	Body	FCD500	1	

O-ring and backup ring (All SH models)

Part No.	8	9	10	11	14	15
O-ring	AS568-131 *1 P-42(Hs70)	G-100	P-22	G-50	P-18	P-14
Backup ring	*2 t1.25× φ47.2/42.9	t1.5× φ103/98		SUN-4B .G-50		

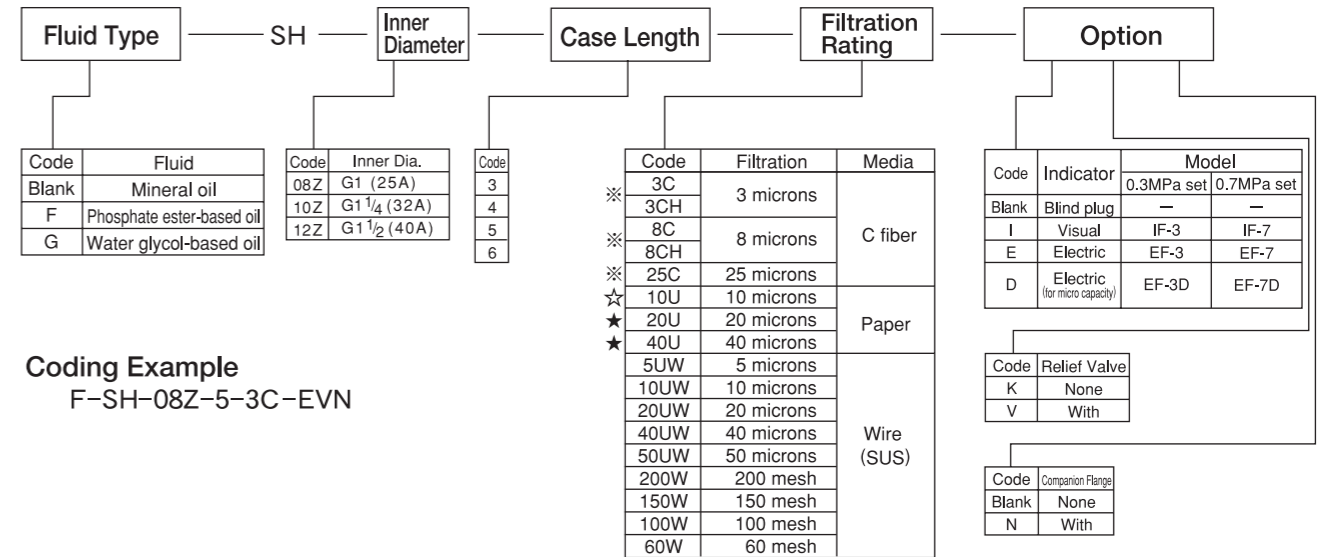
*1 For use of 5UW, 10UW and 20UW
*2 Backup ring is included for use of high differential pressure element only.



Dimensions and Standard Flow Rates

Symbol	Inner Dia.	H	H ₁	Element Height h	Element Allowance E	d ₀	d ₁	d ₂	Mass (kg)	Standard Flow Rate (ℓ/min)
Model										
SH-08Z-3	25A	267	224	120	360	G1	φ24	φ45	13	193
SH-08Z-4		358	315	211	540				15	225
SH-08Z-5		477	434	330	780				17	240
SH-08Z-6		578	535	431	980				20	250
SH-10Z-3	32A	267	224	120	360	G1 1/4	φ30	φ50	13	240
SH-10Z-4		358	315	211	540				15	295
SH-10Z-5		477	434	330	780				17	325
SH-10Z-6		578	535	431	980				20	340
SH-12Z-3	40A	267	224	120	360	G1 1/2	φ34	φ55	13	260
SH-12Z-4		358	315	211	540				15	335
SH-12Z-5		477	434	330	780				17	375
SH-12Z-6		578	535	431	980				20	400

Model Code



Coding Example
F-SH-08Z-5-3C-EVN

※ 3C : β₃ ≥ 200
8C : β₈ ≥ 200
25C : β₂₅ ≥ 200
(Note) "CH" is for high differential pressure 21MPa elements. Relief valve cannot be attached.
★ Not to be used with water glycol-based oil.
☆ Filter media used for water glycol-based oil differs from that for mineral oil.

Spares

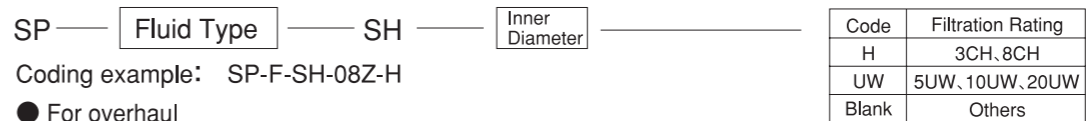
Element



Coding example: P-F-SH-5-3C

Sealing parts set

● For element replacement (Part No. with ◎ in "O-ring and Backup ring".)



Coding example: SP-F-SH-08Z-H

● For overhaul



Coding example: SA-F-SH-08Z-UWN

Flow Rate Chart

● ISO VG32 ● Viscosity: 32 cSt (40°C)

