

1. Maximum operating pressure: 21 MPa
Impulse test: 21 MPa x 10⁷ times
2. T connection and element removal is downward.
3. Option spec. table of standard & high differential pressure elements.

Element Type	Max. differential pressure of element	Option	
		Indicator pressure (All red)	Relief valve opening pressure
Standard	0.7MPa	0.3MPa	0.35MPa
High differential pressure	21MPa	0.7MPa	—

4. Elements are common to TM, GM and TMA.
5. Please contact us on packing, O-ring and parts for fluids other than mineral oil.

Part List

Part No.	Part Name	Material	Qty	Remarks
12	O-ring	NBR	1	JISB 2401. 1B
11	O-ring	NBR	1	JISB 2401. 1A
10	O-ring	NBR	1	JISB 2401. 1B
9	Drain plug	SCM435	1	PF(G)1/4
8	Indicator		1	Option
7	Relief valve	Nylon SS	1	
6	Backup ring	PTFE	1	
5	O-ring	NBR	1	JISB 2401. 1A
4	O-ring	NBR	1	
3	Element		1	
2	Lower cover	SGD	1	
1	Body	FCD500	1	

O-ring and Backup Ring

Part No.	4	5	6	10	11	12
Model	AS	G-55	G-55 (Endless)	P-11	P-14	P-18
TM-B-04						
TM-B-06	568-214					

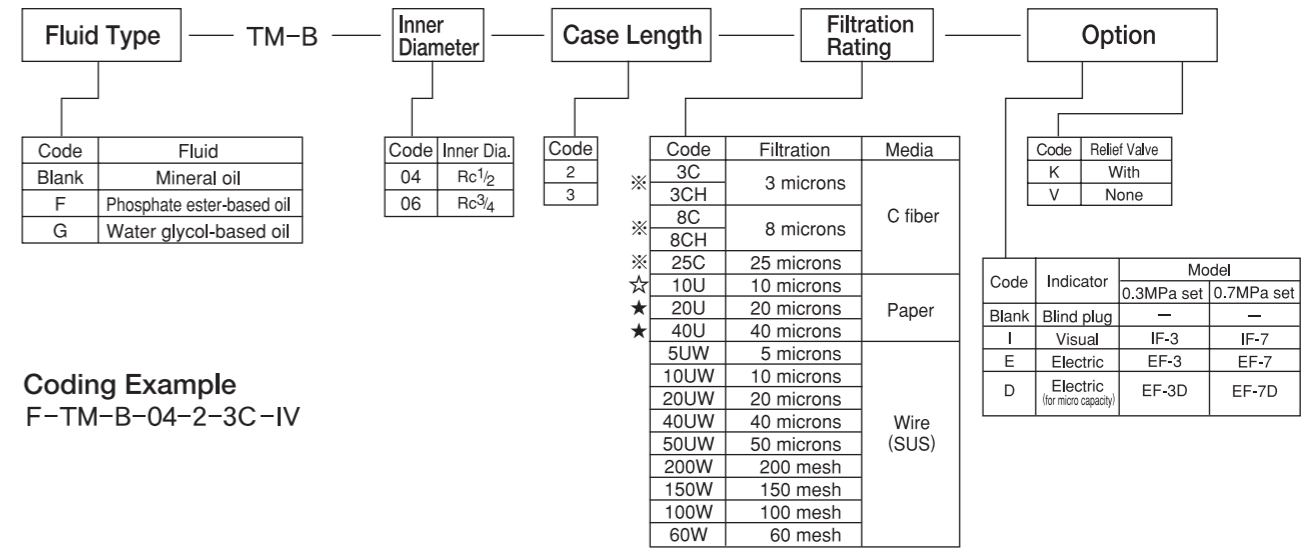
Indicator Height

Indicator Code	h
Blank	12
I	36.5
E/D	91

Dimensions and Standard Flow Rates

Model	Symbol	Inner Dia. (d)	H	Q	Element Allowance E	Mass (kg)	Standard Flow Rate (Q / min)
TM-B-04-2		Rc1/2	177	115	150	3.2	20
TM-B-06-2		Rc3/4					
TM-B-04-3		Rc1/2	271	209	240	4.1	30
TM-B-06-3		Rc3/4					

Model Code



Coding Example
F-TM-B-04-2-3C-IV

※ 3C : β₃ ≧ 200
8C : β₈ ≧ 200
25C : β₂₅ ≧ 200
(Note) "CH" is for high differential pressure 21MPa elements. Relief valve cannot be attached.
★ Not to be used with water glycol-based oil.
☆ Filter media used for water glycol-based oil differs from that for mineral oil.

Spares

Element

P — Fluid Type — TM — Case Length — Filtration Rating
Coding example: P-F-TM-2-3C

Sealing parts set

● For element replacement (Part No. with ◎ in "O-ring and Backup ring".)
SP — Fluid Type — TM — B — Inner Diameter
Coding example: SP-F-TM-B-04

● For overhaul

SA — Fluid Type — TM — B — Inner Diameter
Coding example: SA-F-TM-B-04

Flow Rate Chart

● ISO VG32 ● Viscosity: 32 cSt (40°C)

